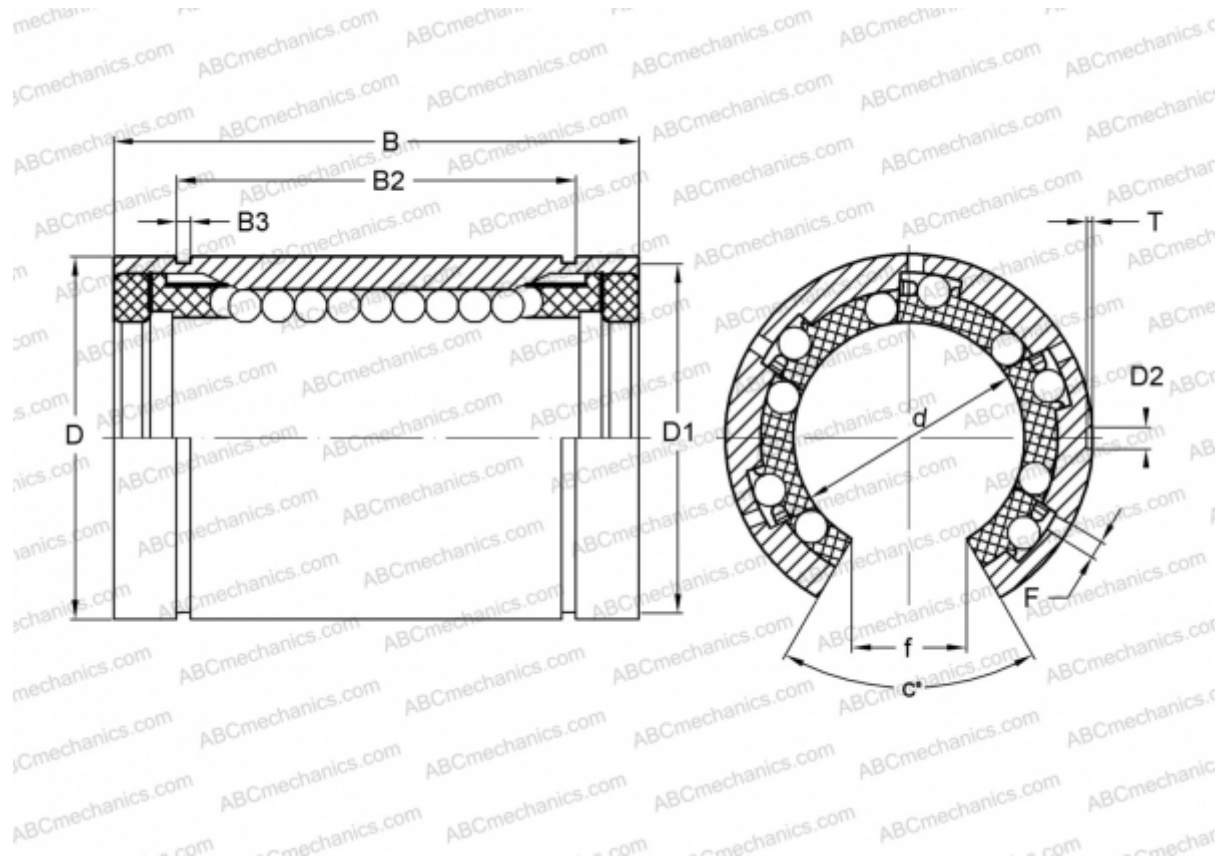


## KBO20-PP-AS INA

Linear bushing

TYPE: Shaft guidance systems, Linear bushing, Standard, Open type for support rail, Type KBO..PP-AS, machined range, sealed on both sides, with relubrication facility (INA)



### Technical specification

#### DIMENSIONS, MM

d	20,000
D	32,000
B	45,000
D1	30,300
D2	2,200
B2	31,200
B3	1,600
T	1,200
f	10,000
c	60
F	2

**WEIGHT, KG** 0,070

**MANUFACTURER** [INA](http://www.ina.com)