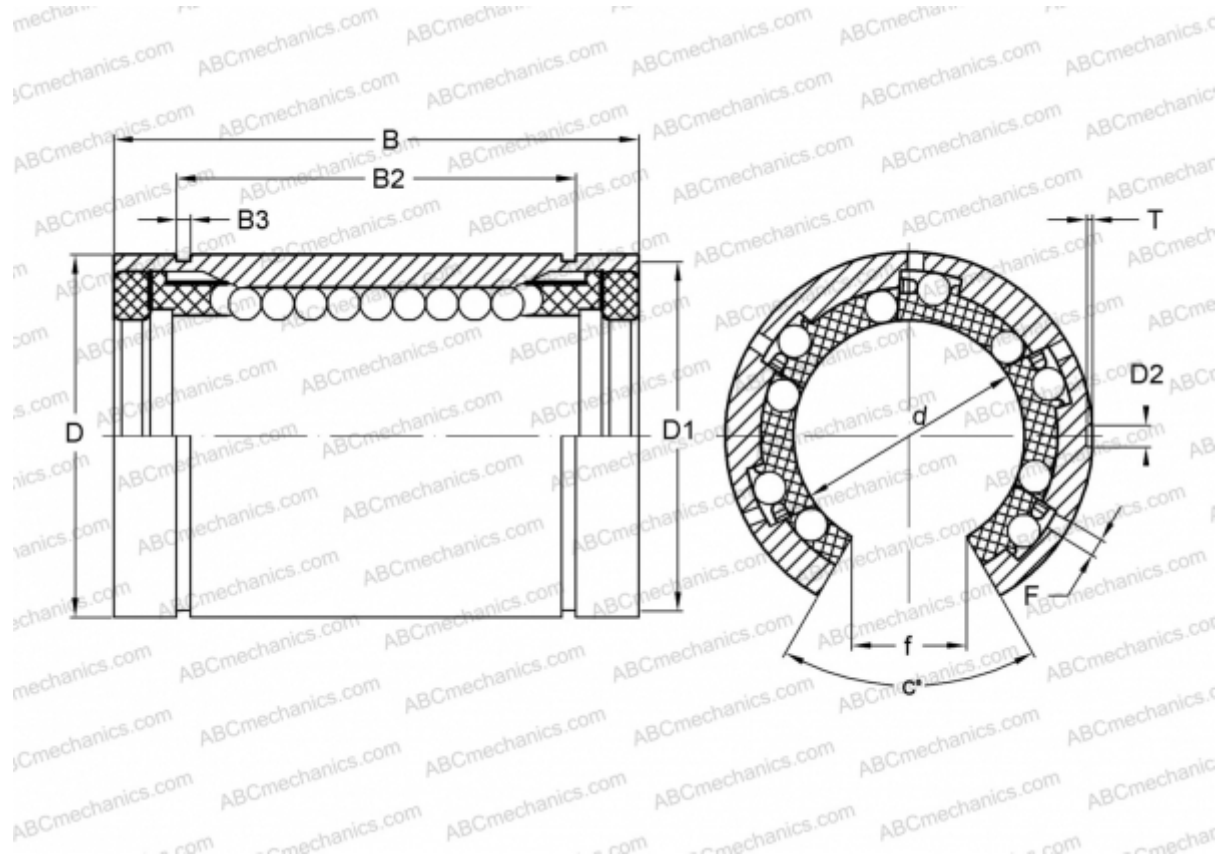


KBO50-PP-AS INA

Linear bushing

TYPE: Shaft guidance systems, Linear bushing, Standard, Open type for support rail, Type KBO..PP-AS, machined range, sealed on both sides, with relubrication facility (INA)



Technical specification

DIMENSIONS, MM

d	50,000
D	75,000
B	100,000
D1	72,000
D2	3,000
B2	77,300
B3	2,650
T	1,500
f	22,700
c	54
F	4

WEIGHT, KG 0,850

MANUFACTURER [INA](http://www.ina.com)