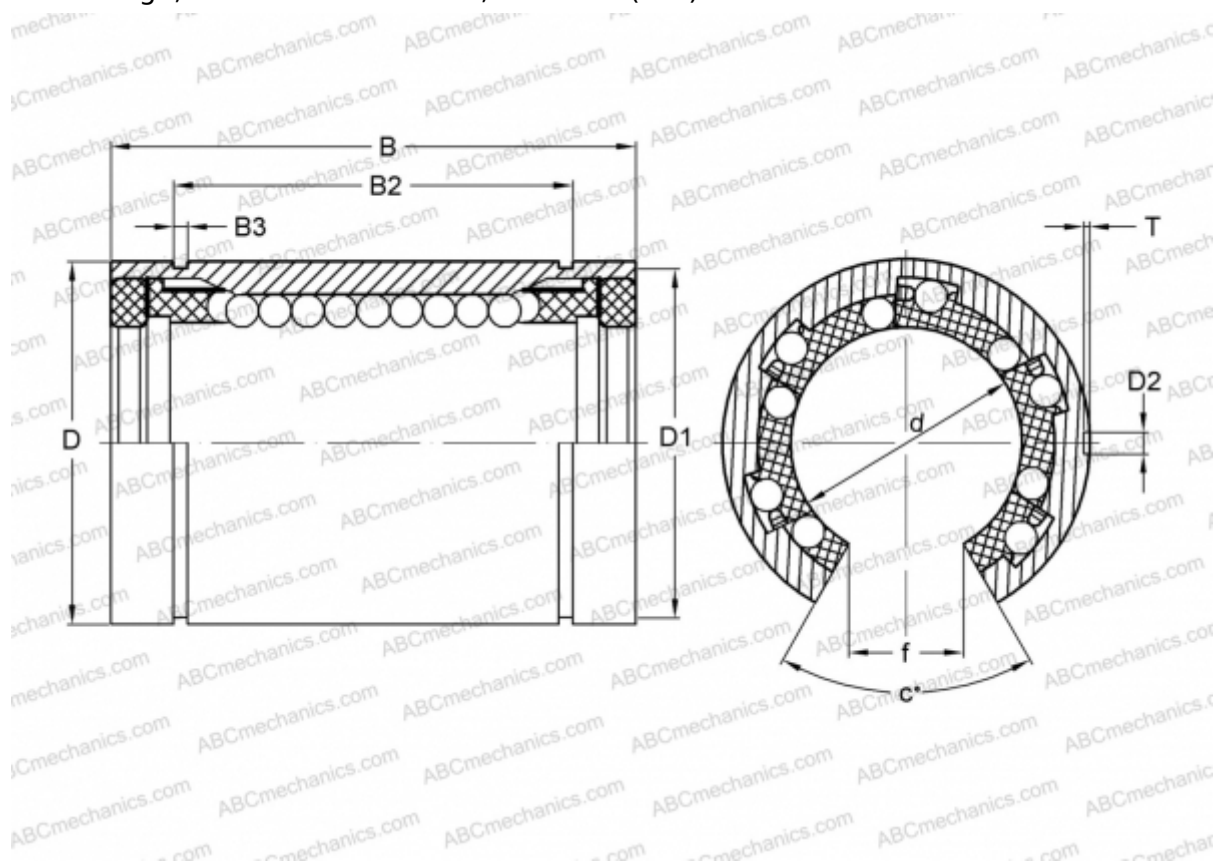


## KBZ12-OP-PP INA

Linear bushing

TYPE: Shaft guidance systems, Linear bushing, Standard, Open type for support rail, Type KBZ..OP-PP, machined range, sealed on both sides, inch size (INA)



### Technical specification

#### DIMENSIONS, MM

d	19,050
D	31,750
B	41,275
D1	29,870
B2	29,616
B3	1,422
f	11,125
c	60

**WEIGHT, KG** 0,077

**MANUFACTURER** [INA](http://www.ina.com)