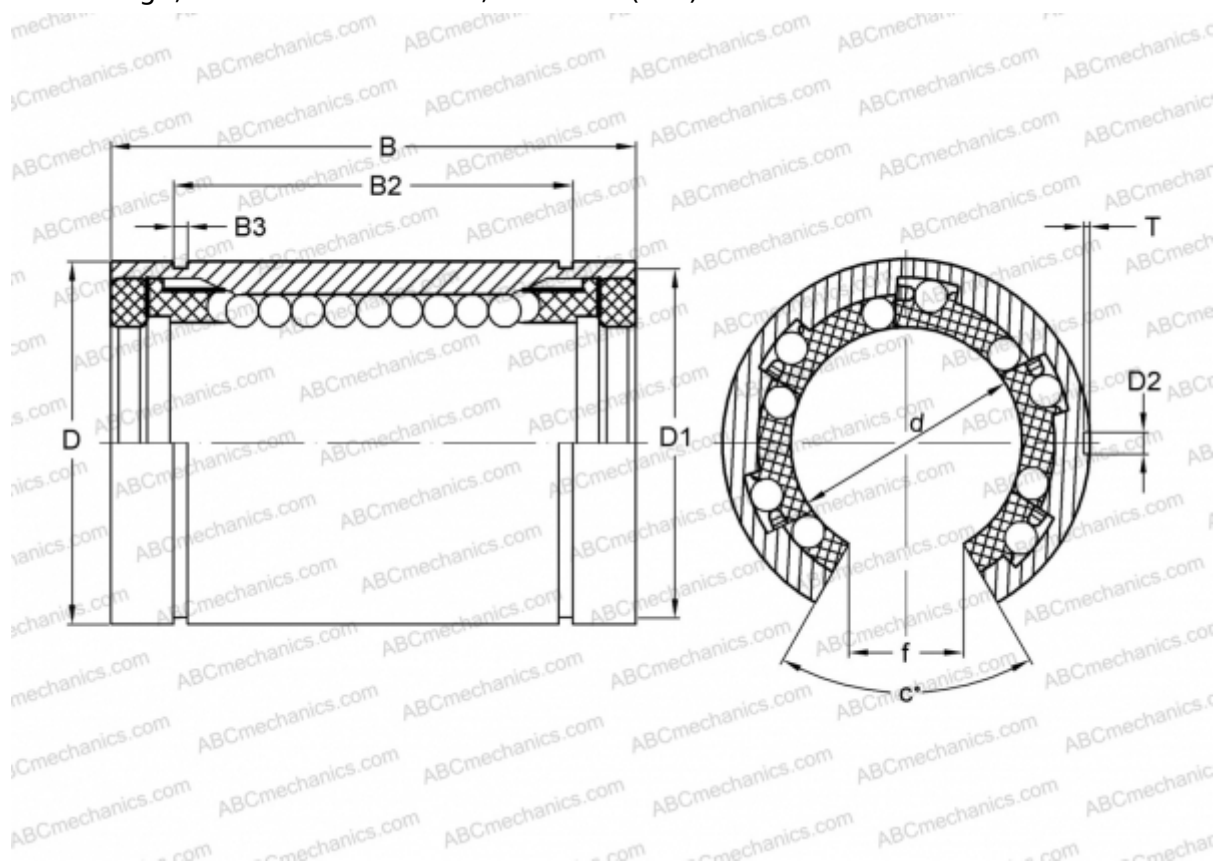


KBZ16-OP-PP INA

Linear bushing

TYPE: Shaft guidance systems, Linear bushing, Standard, Open type for support rail, Type KBZ..OP-PP, machined range, sealed on both sides, inch size (INA)



Technical specification

DIMENSIONS, MM

d	25,400
D	39,700
B	57,150
D1	37,313
B2	44,577
B3	1,727
f	14,300
c	50

WEIGHT, KG 0,168

MANUFACTURER [INA](#)