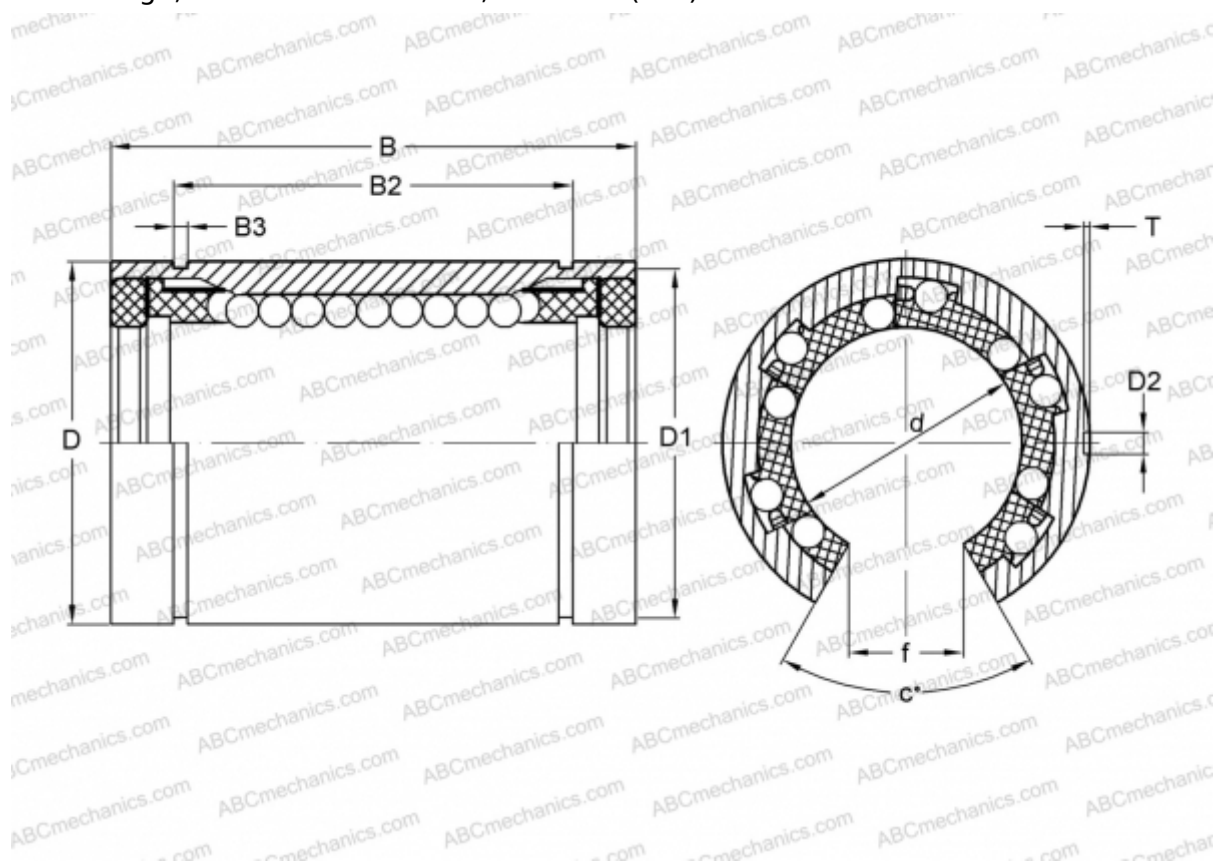


KBZ32-OP-PP INA

Linear bushing

TYPE: Shaft guidance systems, Linear bushing, Standard, Open type for support rail, Type KBZ..OP-PP, machined range, sealed on both sides, inch size (INA)



Technical specification

DIMENSIONS, MM

d	50,800
D	76,200
B	101,600
D1	72,085
B2	81,077
B3	2,616
f	25,400
c	50

WEIGHT, KG 0,980

MANUFACTURER [INA](http://www.ina.com)