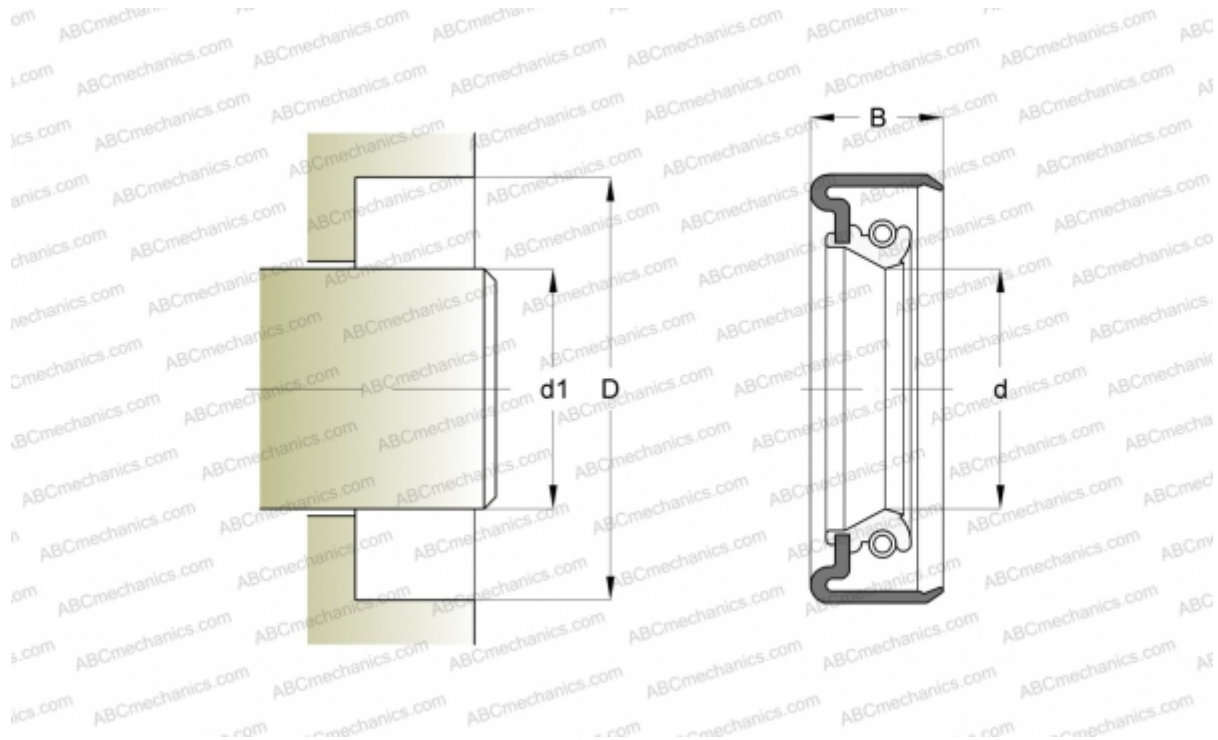


CR 6393 CR

Radial shaft seals

TYPE: Radial shaft seals, Metal case, With spring-loaded sealing lip, Type CRW5, material FPM/FKM (SKF)



Technical specification

DIMENSIONS, MM

d1	15,875
d	15,875
D	38,100
B	7,950

MANUFACTURER [CR](#)

INTERCHANGE

SKF [6393](#)

CALCULATION DATA

Operating temperature min	-40 °C
Operating temperature max	200 °C
Permissible operating temperature, short periods max	220 °C
Pressure differential max	0,630 Mpa
Maximum shaft surface speed	10,000 m/s