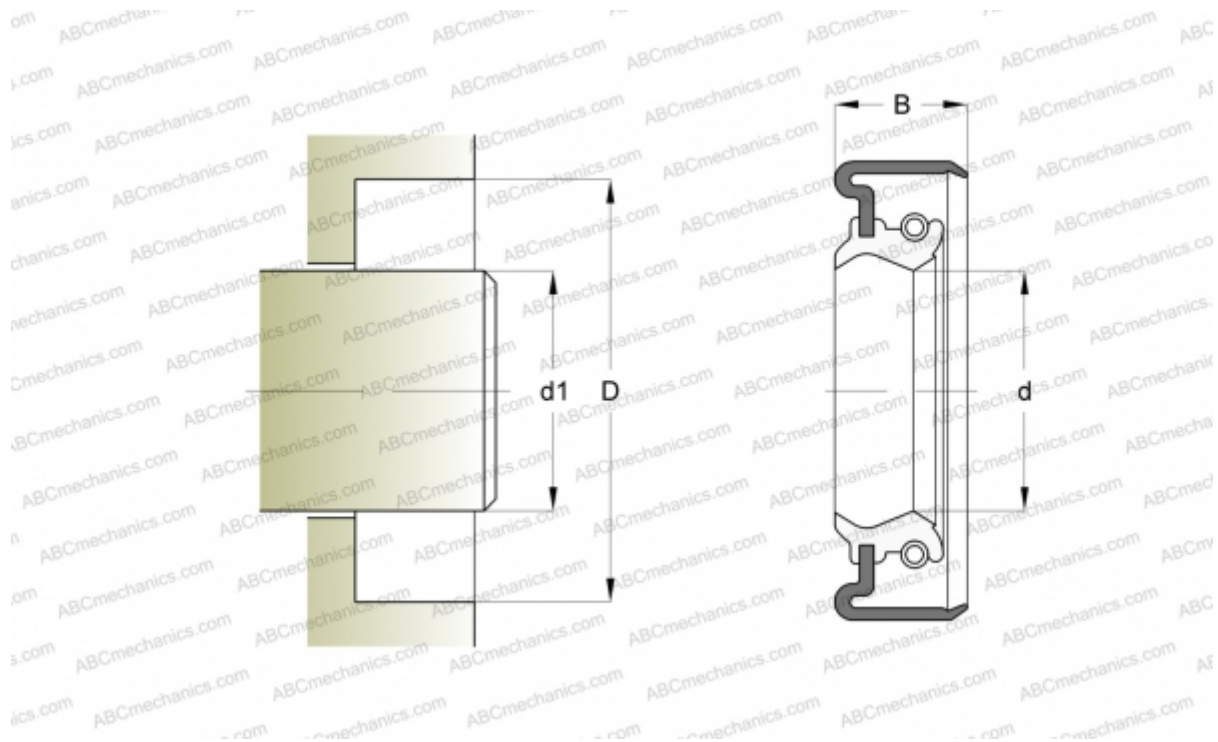


CR 5069 CR

Radial shaft seals

TYPE: Radial shaft seals, Metal case, With spring-loaded sealing lip, Type CRWA5, material NBR (SKF)



Technical specification

DIMENSIONS, MM

| | |
|----|--------|
| d1 | 12,700 |
| d | 12,700 |
| D | 28,550 |
| B | 6,350 |

MANUFACTURER [CR](#)

INTERCHANGE

SKF [5069](#)

CALCULATION DATA

| | |
|--|------------|
| Operating temperature min | -40 °C |
| Operating temperature max | 100 °C |
| Permissible operating temperature, short periods max | 120 °C |
| Pressure differential max | 0,630 Mpa |
| Maximum shaft surface speed | 10,000 m/s |