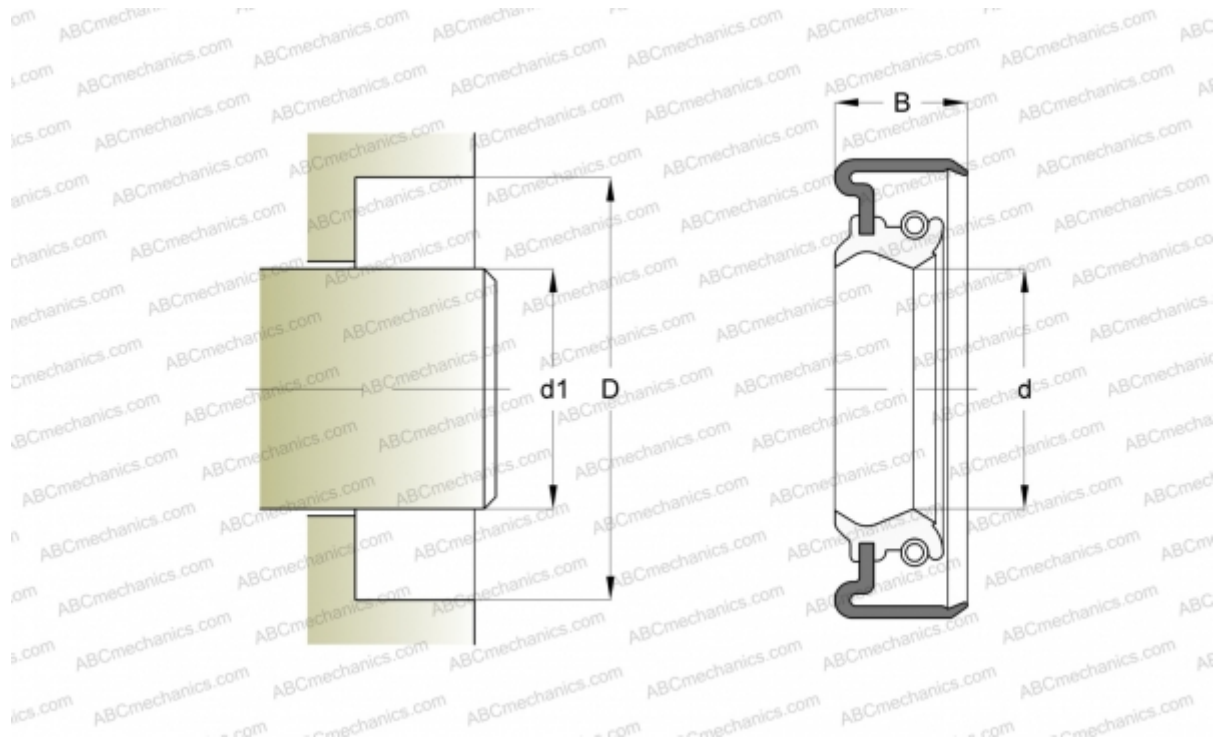


CR 6388 CR

Radial shaft seals

TYPE: Radial shaft seals, Metal case, With spring-loaded sealing lip, Type CRWA5, material NBR (SKF)



Technical specification

DIMENSIONS, MM

d_1	15,875
d	15,875
D	34,925
B	9,525

MANUFACTURER [CR](#)

INTERCHANGE

SKF [6388](#)

CALCULATION DATA

Operating temperature min	-40 °C
Operating temperature max	100 °C
Permissible operating temperature, short periods max	120 °C
Pressure differential max	0,630 Mpa
Maximum shaft surface speed	10,000 m/s