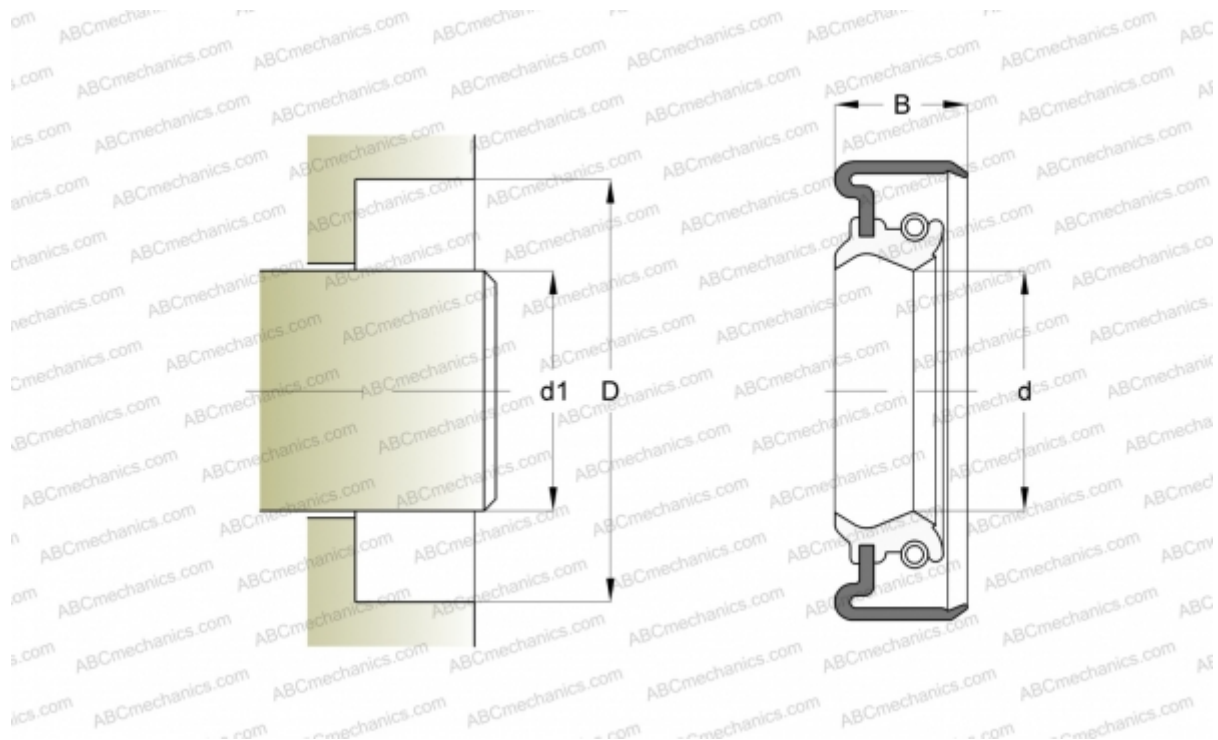


CR 19213 CR

Radial shaft seals

TYPE: Radial shaft seals, Metal case, With spring-loaded sealing lip, Type CRWA5, material NBR (SKF)



Technical specification

DIMENSIONS, MM

d1	49,225
d	49,225
D	67,945
B	6,350

MANUFACTURER [CR](#)

INTERCHANGE

SKF	19213
-----	-----------------------

CALCULATION DATA

Operating temperature min	-40 °C
Operating temperature max	100 °C
Permissible operating temperature, short periods max	120 °C
Pressure differential max	0,630 Mpa
Maximum shaft surface speed	10,000 m/s