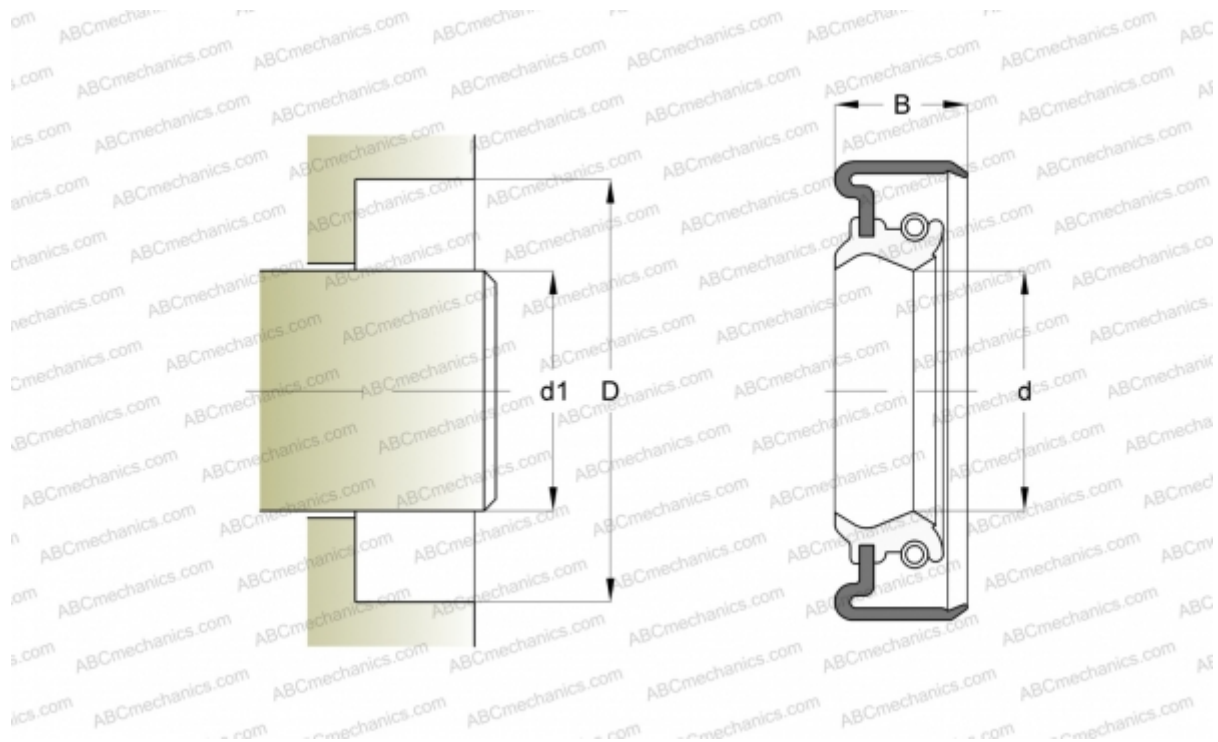


CR 8694 CR

Radial shaft seals

TYPE: Radial shaft seals, Metal case, With spring-loaded sealing lip, Type CRWA5, material FPM/FKM (SKF)



Technical specification

DIMENSIONS, MM

| | |
|-------|--------|
| d_1 | 22,225 |
| d | 22,225 |
| D | 38,024 |
| B | 7,950 |

MANUFACTURER [CR](#)

INTERCHANGE

| | |
|-----|----------------------|
| SKF | 8694 |
|-----|----------------------|

CALCULATION DATA

| | |
|--|------------|
| Operating temperature min | -40 °C |
| Operating temperature max | 200 °C |
| Permissible operating temperature, short periods max | 220 °C |
| Pressure differential max | 0,630 Mpa |
| Maximum shaft surface speed | 10,000 m/s |