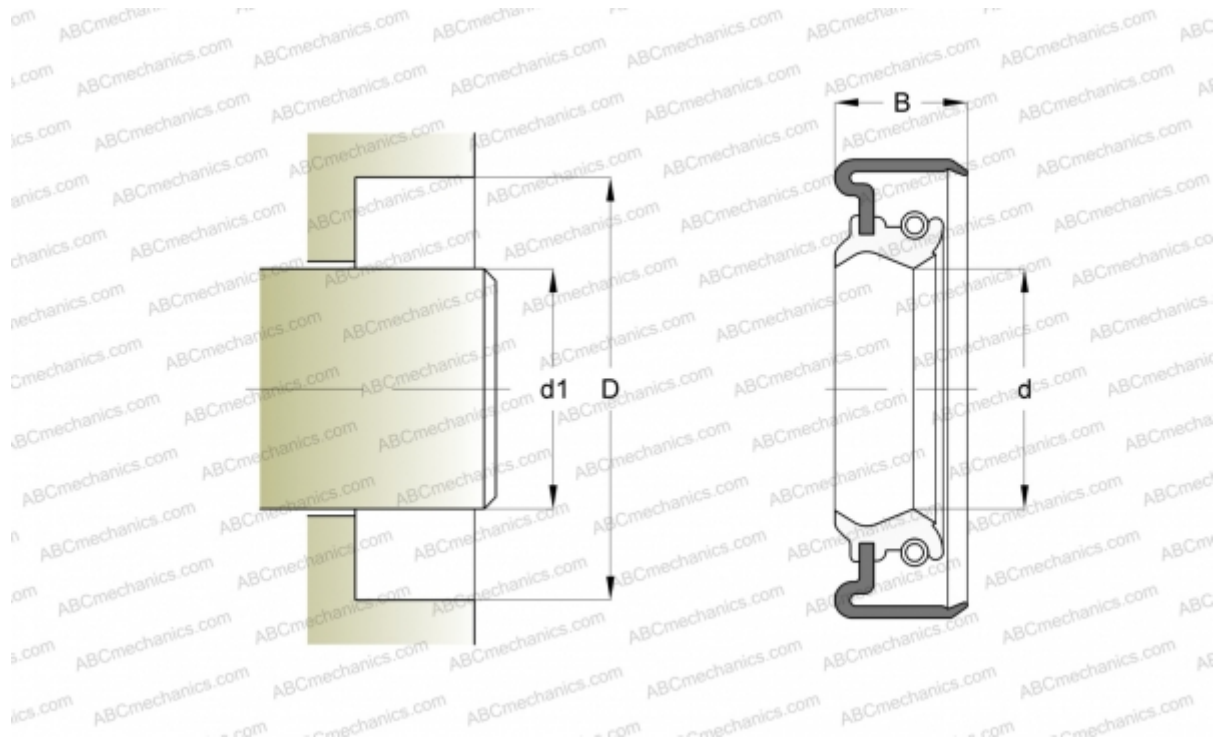


## 14868 SKF

Radial shaft seals

TYPE: Radial shaft seals, Metal case, With spring-loaded sealing lip, Type CRWA5, material FPM/FKM (SKF)



### Technical specification

#### DIMENSIONS, MM

d1	38,100
d	38,100
D	52,426
B	9,525

**MANUFACTURER** [SKF](#)

#### INTERCHANGE

CR [CR 14868](#)

#### CALCULATION DATA

Operating temperature min	-40 °C
Operating temperature max	200 °C
Permissible operating temperature, short periods max	220 °C
Pressure differential max	0,630 Mpa
Maximum shaft surface speed	10,000 m/s