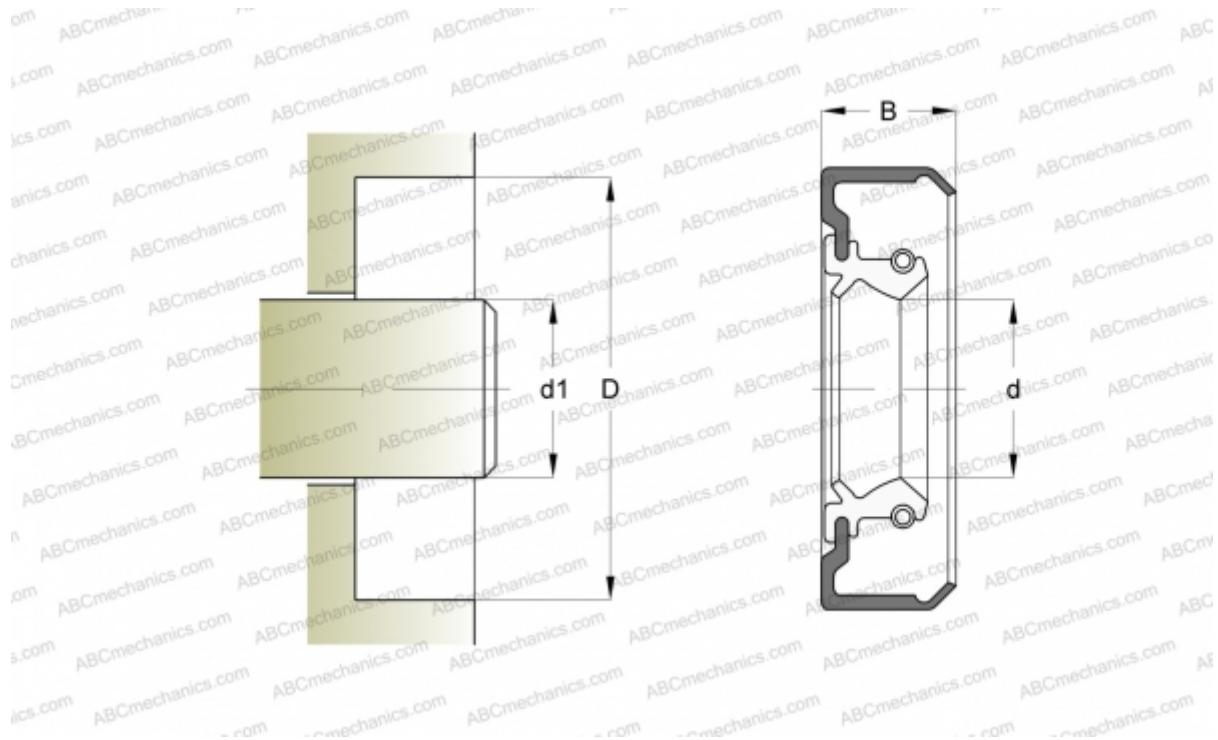


160x185x13 CRSA1 V SKF

Radial shaft seals

TYPE: Radial shaft seals, Metal case, With spring-loaded sealing lip, Type CRSA1, material FPM/FKM (SKF)



Technical specification

DIMENSIONS, MM

d1	160,000
d	160,000
D	185,000
B	13,000

MANUFACTURER [SKF](#)

INTERCHANGE

CR [CR 160x185x13 CRSA1 V](#)

CALCULATION DATA

Operating temperature min	-40 °C
Operating temperature max	200 °C
Permissible operating temperature, short periods max	220 °C
Pressure differential max	0,070 Mpa
Maximum shaft surface speed	10,000 m/s