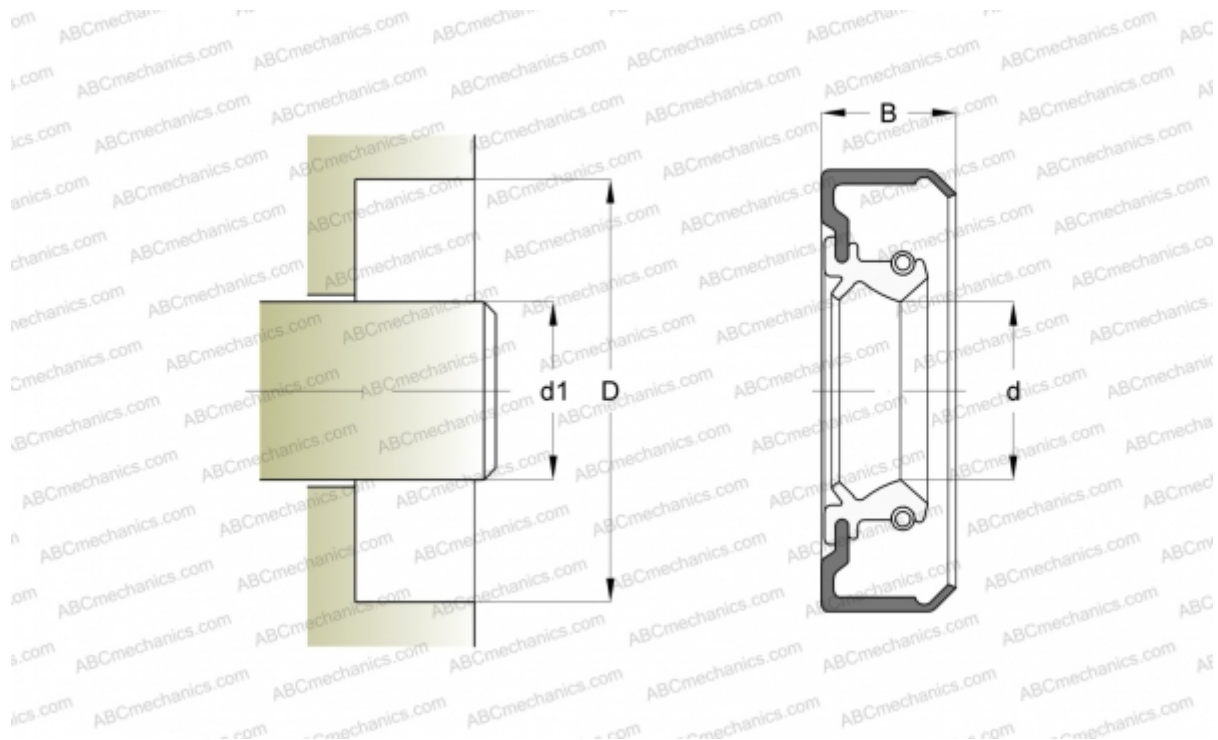


31144 SKF

Radial shaft seals

TYPE: Radial shaft seals, Metal case, With spring-loaded sealing lip, Type CRSA1, material FPM/FKM (SKF)



Technical specification

DIMENSIONS, MM

d1	79,375
d	79,375
D	99,974
B	13,005

MANUFACTURER [SKF](#)

INTERCHANGE

CR [CR 31144](#)

CALCULATION DATA

Operating temperature min	-40 °C
Operating temperature max	200 °C
Permissible operating temperature, short periods max	220 °C
Pressure differential max	0,070 Mpa
Maximum shaft surface speed	10,000 m/s