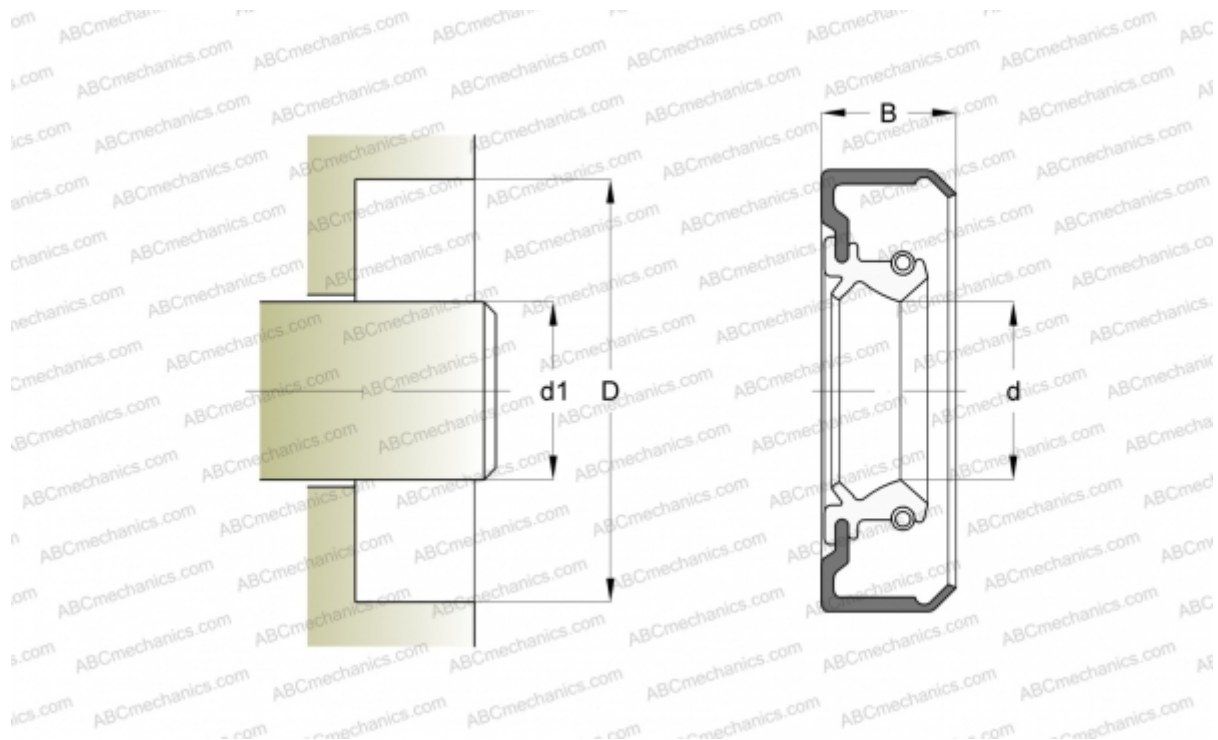


## CR 32332 CR

Radial shaft seals

TYPE: Radial shaft seals, Metal case, With spring-loaded sealing lip, Type CRSA1, material FPM/FKM (SKF)



### Technical specification

#### DIMENSIONS, MM

d1	82,550
d	82,550
D	98,450
B	9,525

**MANUFACTURER** [CR](#)

#### INTERCHANGE

SKF	<a href="#">32332</a>
-----	-----------------------

#### CALCULATION DATA

Operating temperature min	-40 °C
Operating temperature max	200 °C
Permissible operating temperature, short periods max	220 °C
Pressure differential max	0,070 Mpa
Maximum shaft surface speed	10,000 m/s