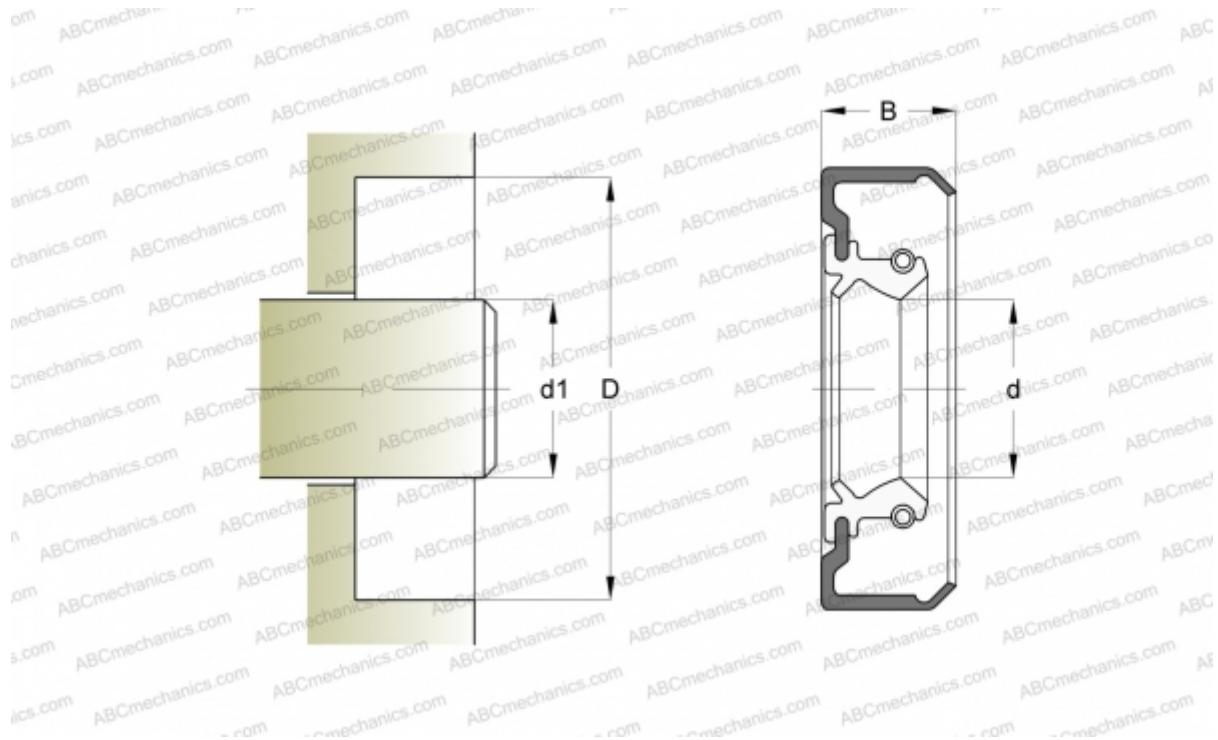


## 35120 SKF

Radial shaft seals

TYPE: Radial shaft seals, Metal case, With spring-loaded sealing lip, Type CRSA1, material FPM/FKM (SKF)



### Technical specification

#### DIMENSIONS, MM

d1	89,002
d	89,002
D	105,994
B	8,992

**MANUFACTURER** [SKF](#)

#### INTERCHANGE

CR [CR 35120](#)

#### CALCULATION DATA

Operating temperature min	-40 °C
Operating temperature max	200 °C
Permissible operating temperature, short periods max	220 °C
Pressure differential max	0,070 Mpa
Maximum shaft surface speed	10,000 m/s