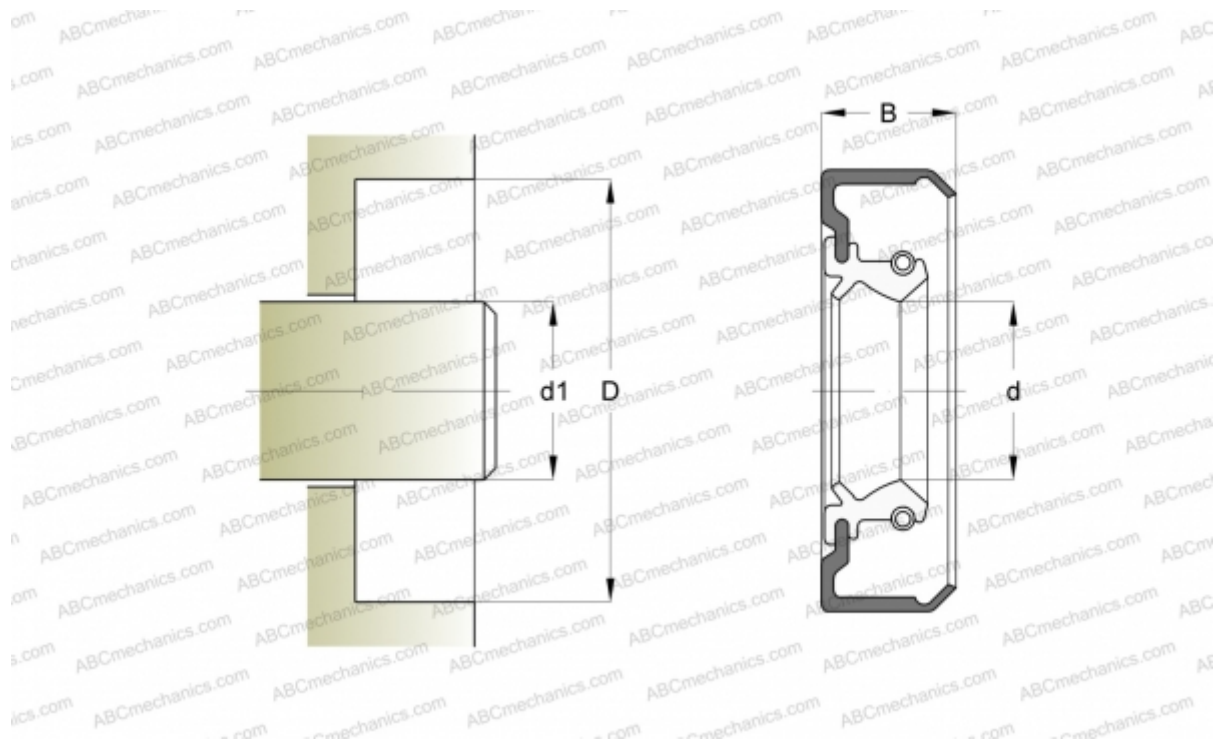


## CR 38770 CR

Radial shaft seals

TYPE: Radial shaft seals, Metal case, With spring-loaded sealing lip, Type CRSA1, material FPM/FKM, NBR (SKF)



### Technical specification

#### DIMENSIONS, MM

d1	99,009
d	99,009
D	118,872
B	9,398

**MANUFACTURER** [CR](#)

#### INTERCHANGE

SKF [38770](#)

#### CALCULATION DATA

Operating temperature min	-40 °C
Operating temperature max	100 °C
Permissible operating temperature, short periods max	120 °C
Pressure differential max	0,070 Mpa
Maximum shaft surface speed	10,000 m/s