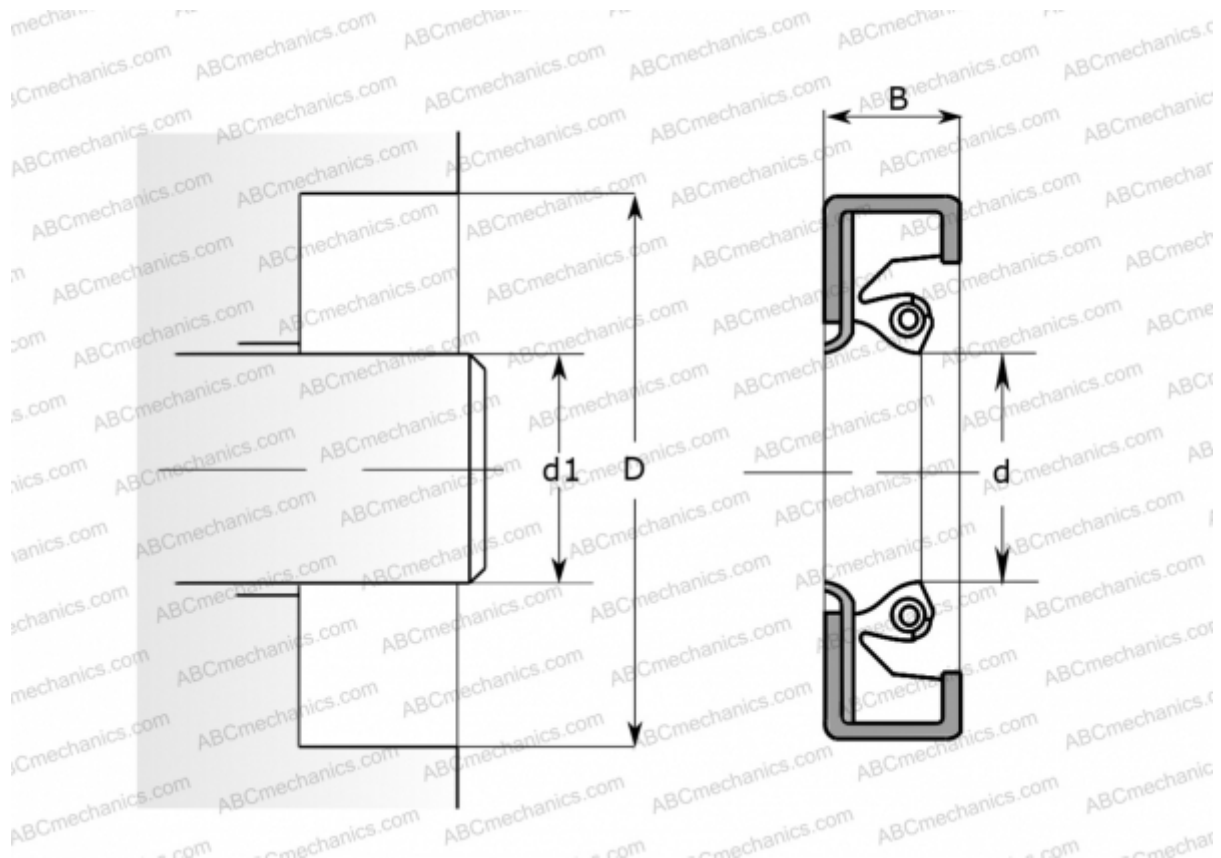


1050966 SKF

Radial shaft seals

TYPE: Radial shaft seals, Metal case, With spring-loaded sealing lip, Type HDSF1, material FPM/FKM, PTFE (SKF)



Technical specification

DIMENSIONS, MM

d_1	266,700
d	266,700
D	317,500
B	25,400

MANUFACTURER

[SKF](#)

CALCULATION DATA

Maximum shaft surface speed	0,001 m/s
-----------------------------	-----------