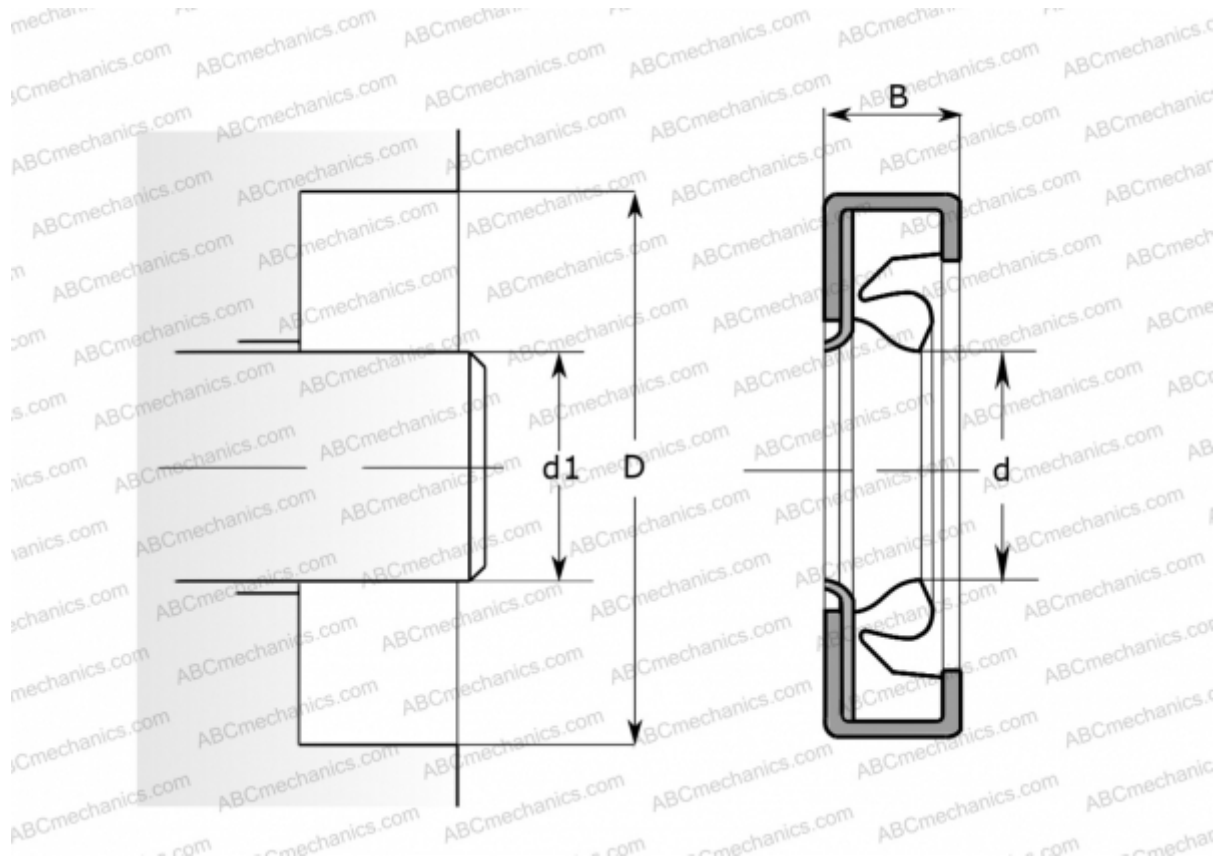


1850953 SKF

Radial shaft seals

TYPE: Radial shaft seals, Metal case, With spring-loaded sealing lip, Type HDSF2, material X-NBR, PTFE (SKF)



Technical specification

DIMENSIONS, MM

d_1	469,900
d	469,900
D	520,700
B	22,230

MANUFACTURER [SKF](https://www.skf.com)

CALCULATION DATA

Maximum shaft surface speed	0,001 m/s
-----------------------------	-----------