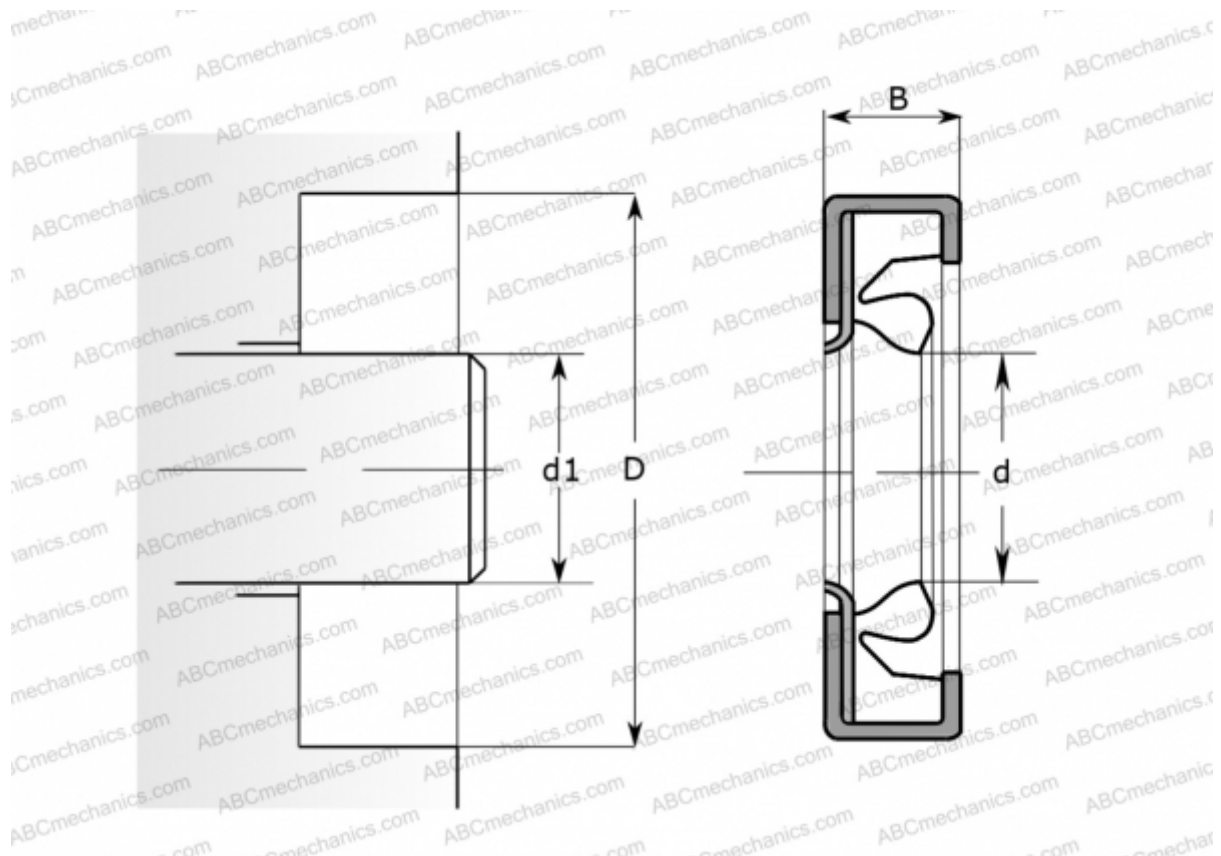


## 1600510 SKF

Radial shaft seals

TYPE: Radial shaft seals, Metal case, With spring-loaded sealing lip, Type HDSF2, material H-NBR/NEM, PTFE (SKF)



### Technical specification

#### DIMENSIONS, MM

$d_1$	406,400
$d$	406,400
$D$	457,200
$B$	22,230

#### MANUFACTURER

[SKF](#)

#### CALCULATION DATA

Maximum shaft surface speed	0,001 m/s
-----------------------------	-----------