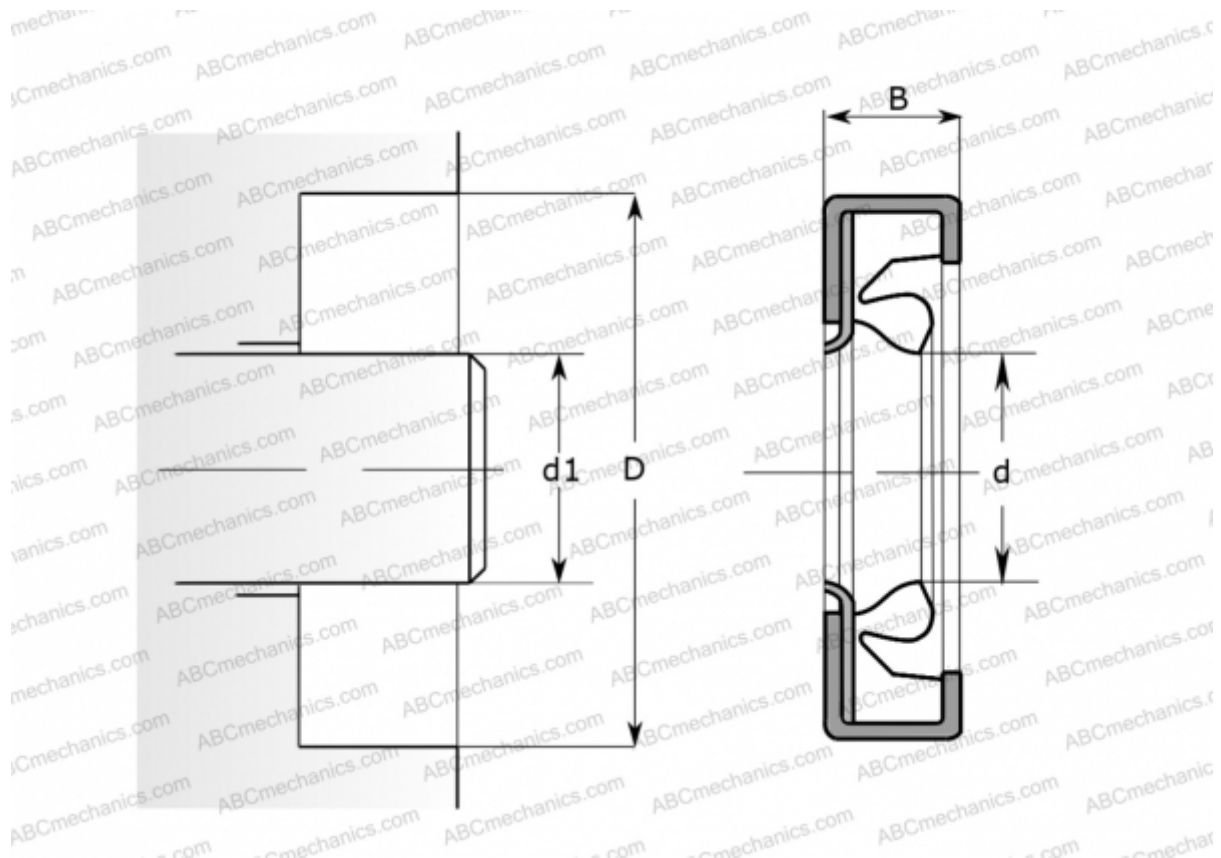


500x540x20 HDSF2 RT SKF

Radial shaft seals

TYPE: Radial shaft seals, Metal case, With spring-loaded sealing lip, Type HDSF2, material NBR, PTFE (SKF)



Technical specification

DIMENSIONS, MM

d_1	500,000
d	500,000
D	540,000
B	20,000

MANUFACTURER

[SKF](#)