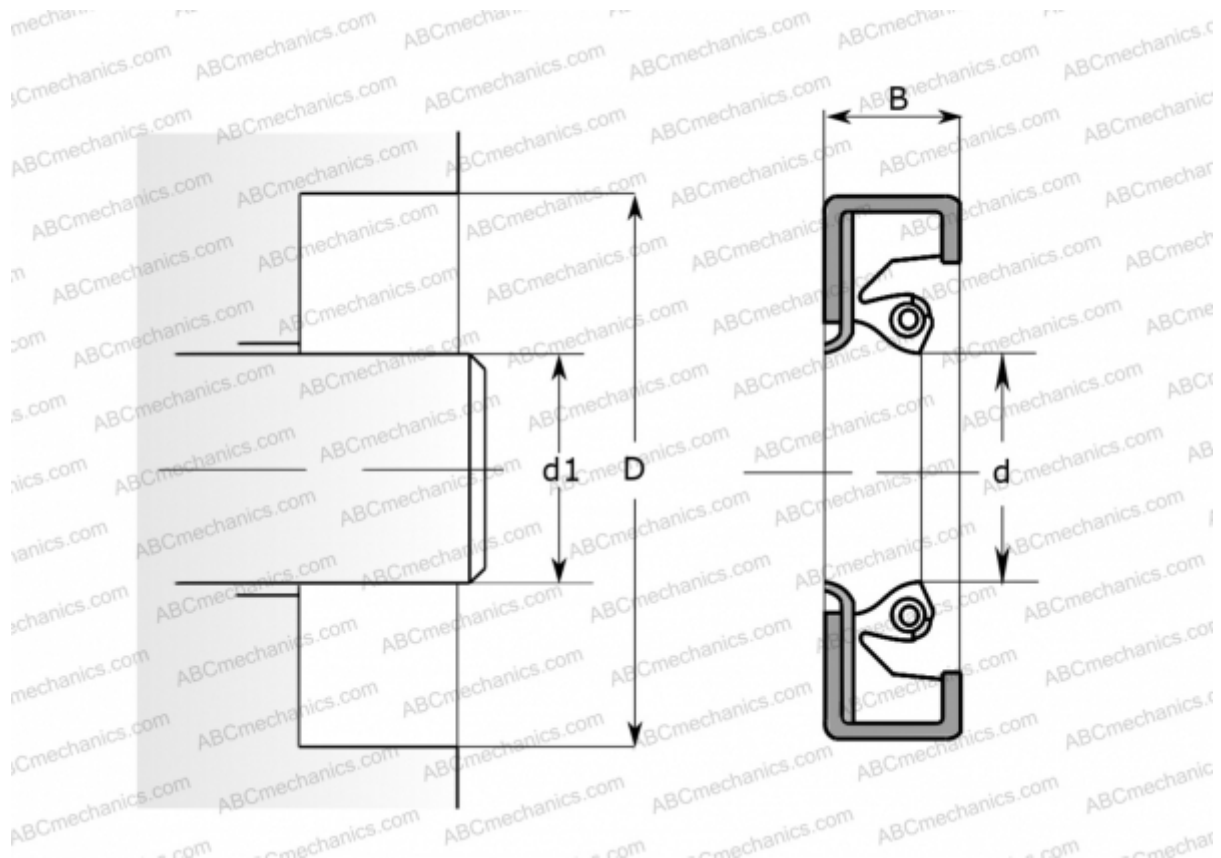


440x490x20 HDSH7 HT SKF

Radial shaft seals

TYPE: Radial shaft seals, Metal case, With spring-loaded sealing lip, Type HDSH7, material H-NBR/NEM, PTFE (SKF)



Technical specification

DIMENSIONS, MM

d_1	440,000
d	440,000
D	490,000
B	20,400

MANUFACTURER

[SKF](#)

CALCULATION DATA

Maximum shaft surface speed	0,001 m/s
-----------------------------	-----------