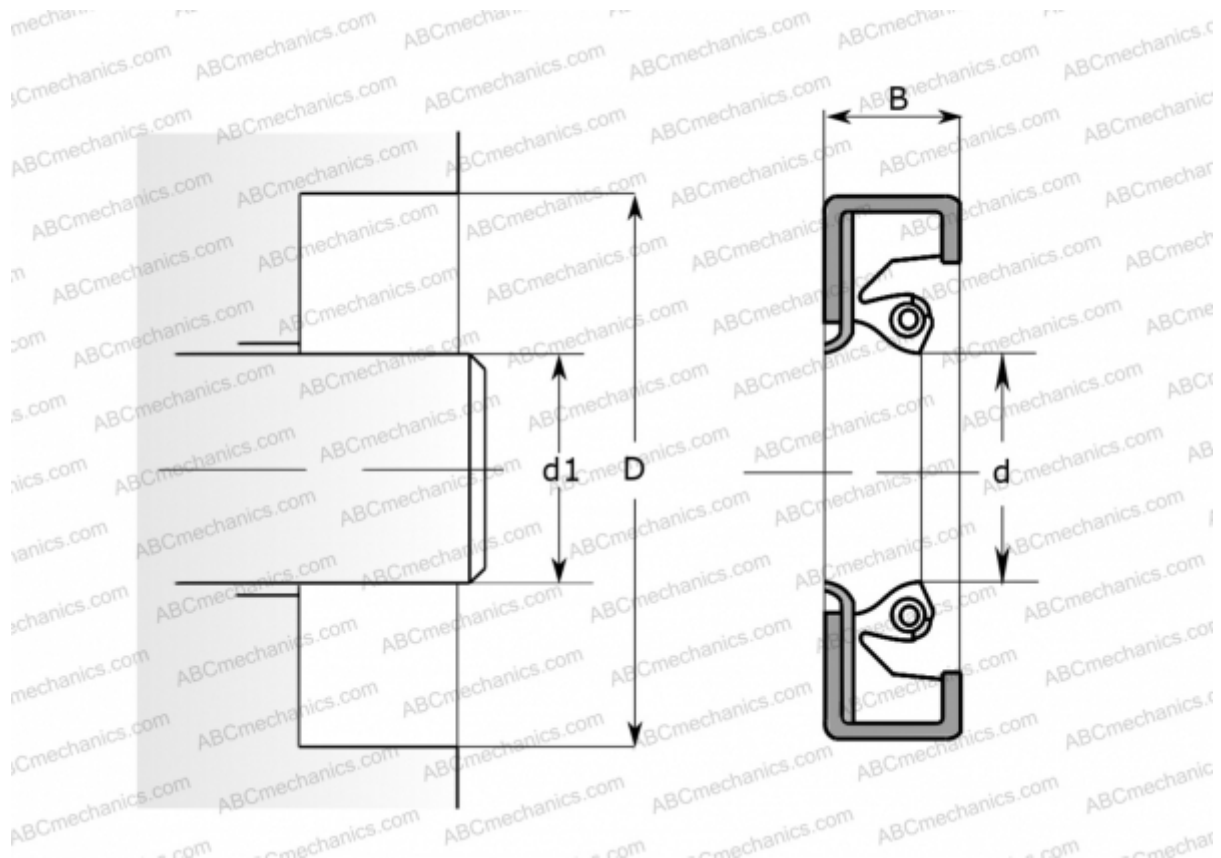


1550951 SKF

Radial shaft seals

TYPE: Radial shaft seals, Metal case, With spring-loaded sealing lip, Type HDSH7, material NBR, PTFE (SKF)



Technical specification

DIMENSIONS, MM

d_1	393,700
d	393,700
D	444,500
B	19,050

MANUFACTURER

[SKF](#)

CALCULATION DATA

Maximum shaft surface speed	0,001 m/s
-----------------------------	-----------