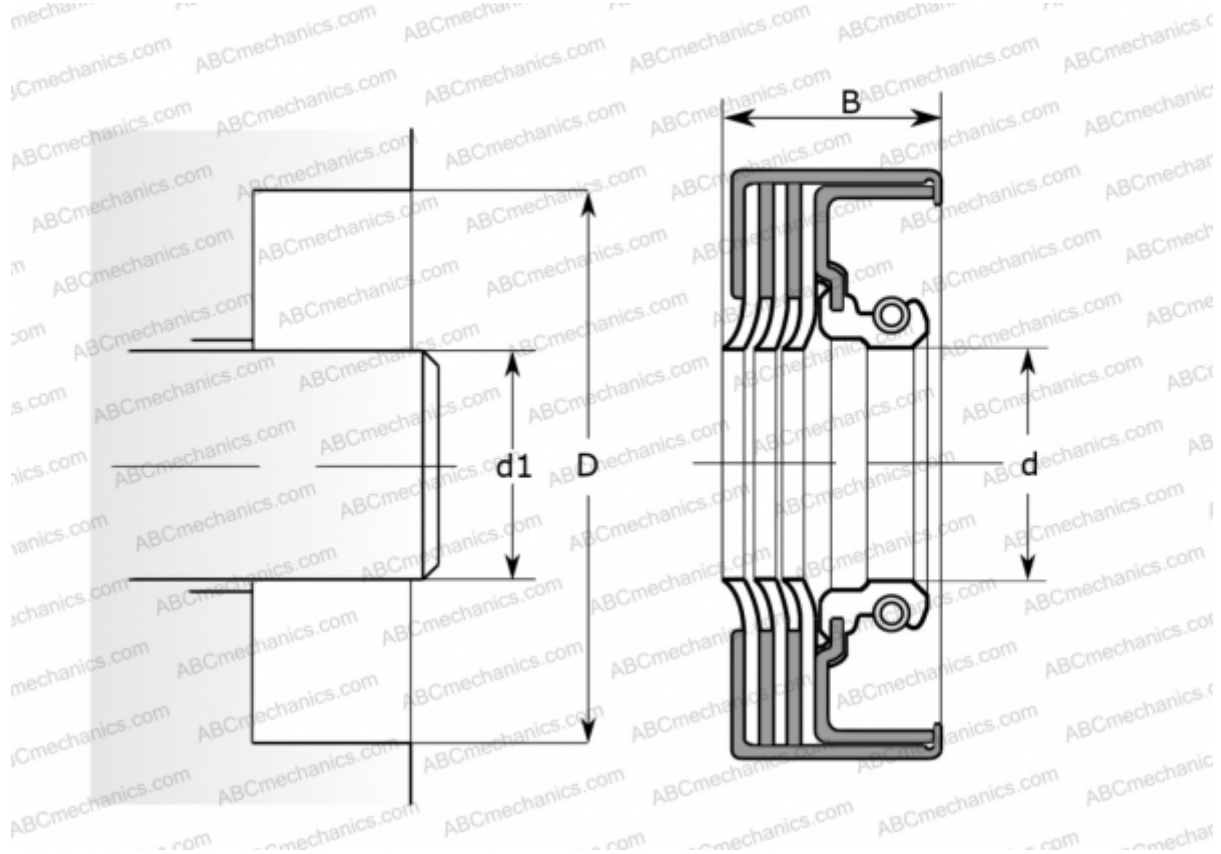


CR 26289 CR

Radial shaft seals

TYPE: Radial shaft seals, Metal case, With spring-loaded sealing lip, Type TL4, material NBR (SKF)



Technical specification

DIMENSIONS, MM

d1	66,675
d	66,675
D	95,275
B	18,161

MANUFACTURER [CR](#)

INTERCHANGE

SKF [26289](#)

CALCULATION DATA

Maximum shaft surface speed 0,001 m/s