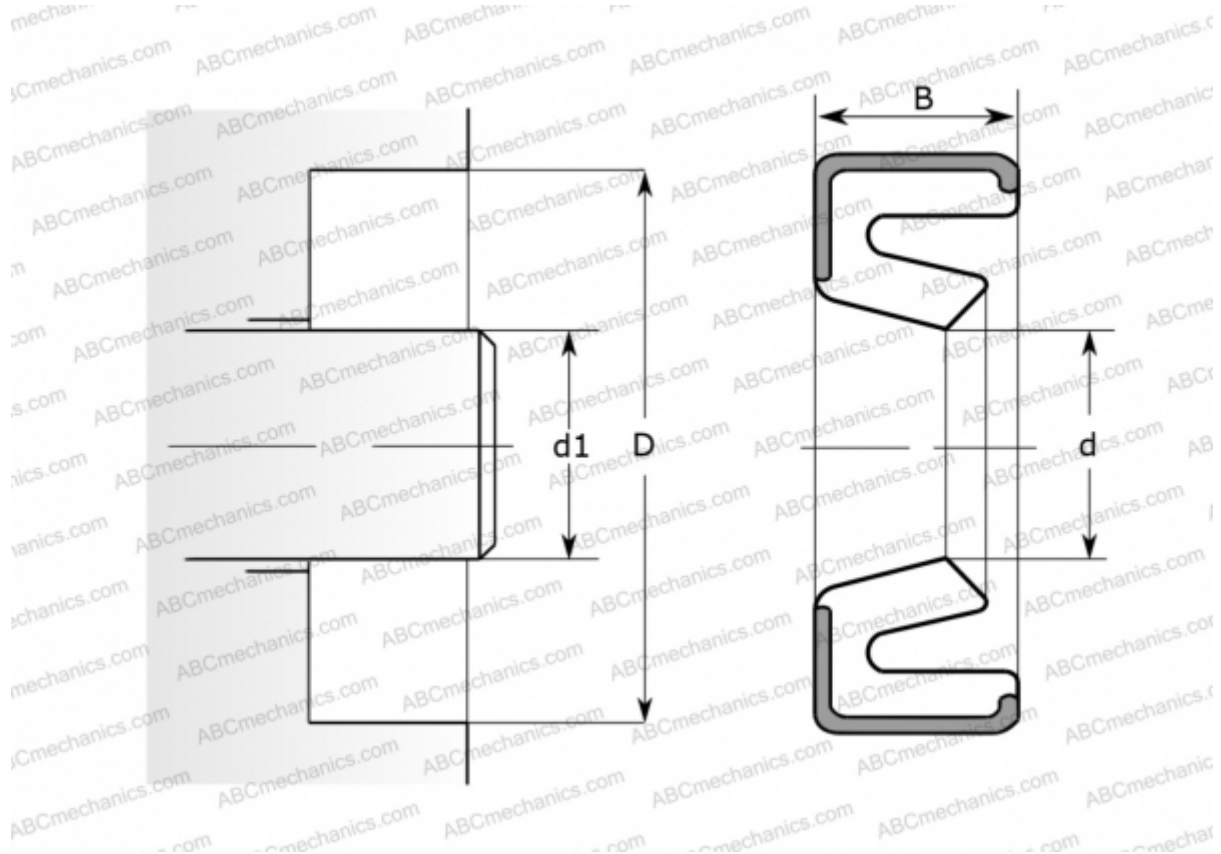


CR 538545 CR

Radial shaft seals

TYPE: Radial shaft seals, Metal case, Springless sealing lip, Type HM3, material FPM/FKM (SKF)



Technical specification

DIMENSIONS, MM

d_1	12,700
d	12,700
D	17,450
B	2,362

MANUFACTURER [CR](#)

INTERCHANGE

SKF [538545](#)

CALCULATION DATA

Operating temperature min	-40 °C
Operating temperature max	200 °C
Pressure differential max	0,070 Mpa
Maximum shaft surface speed	6,000 m/s