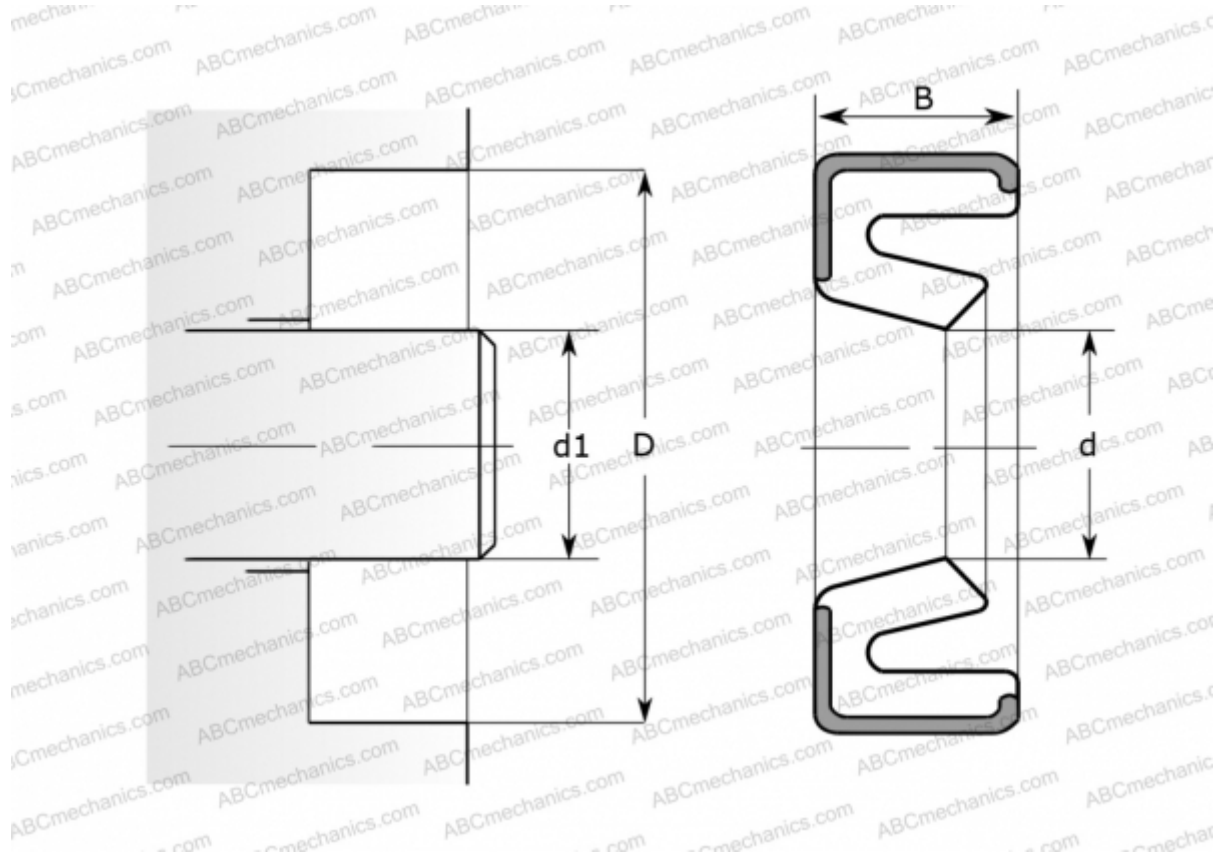


## CR 535909 CR

Radial shaft seals

TYPE: Radial shaft seals, Metal case, Springless sealing lip, Type HM3, material FPM/FKM (SKF)



### Technical specification

#### DIMENSIONS, MM

$d_1$	19,050
$d$	19,050
$D$	25,400
$B$	3,175

**MANUFACTURER** [CR](#)

#### INTERCHANGE

SKF [535909](#)

#### CALCULATION DATA

Operating temperature min	-40 °C
Operating temperature max	200 °C
Pressure differential max	0,070 Mpa
Maximum shaft surface speed	6,000 m/s