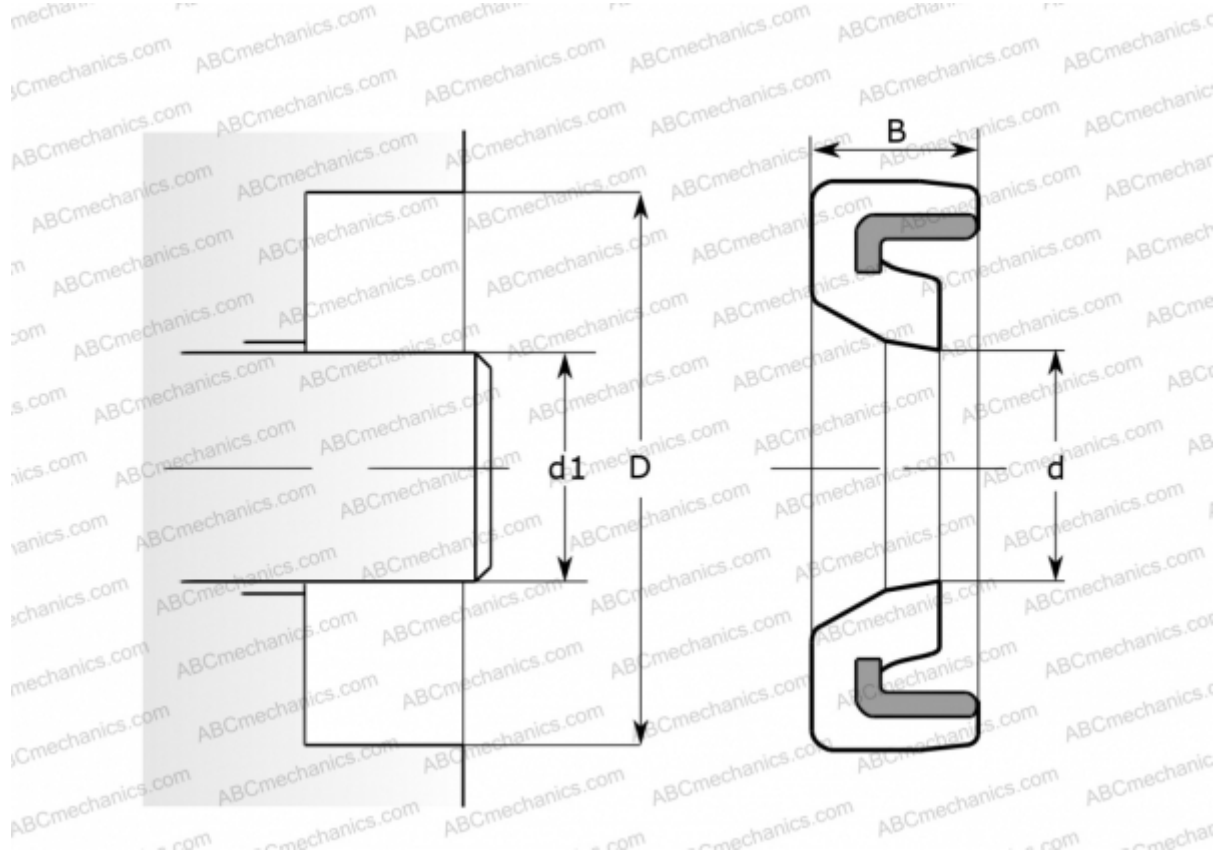


CR 14209 CR

Radial shaft seals

TYPE: Radial shaft seals, Metal case, Springless sealing lip, Type HM4, material NBR (SKF)



Technical specification

DIMENSIONS, MM

d1	36,525
d	36,525
D	50,800
B	3,175

MANUFACTURER [CR](#)

INTERCHANGE

SKF	14209
-----	-----------------------

CALCULATION DATA

Operating temperature min	-40 °C
Operating temperature max	100 °C
Pressure differential max	0,070 Mpa
Maximum shaft surface speed	0,001 m/s