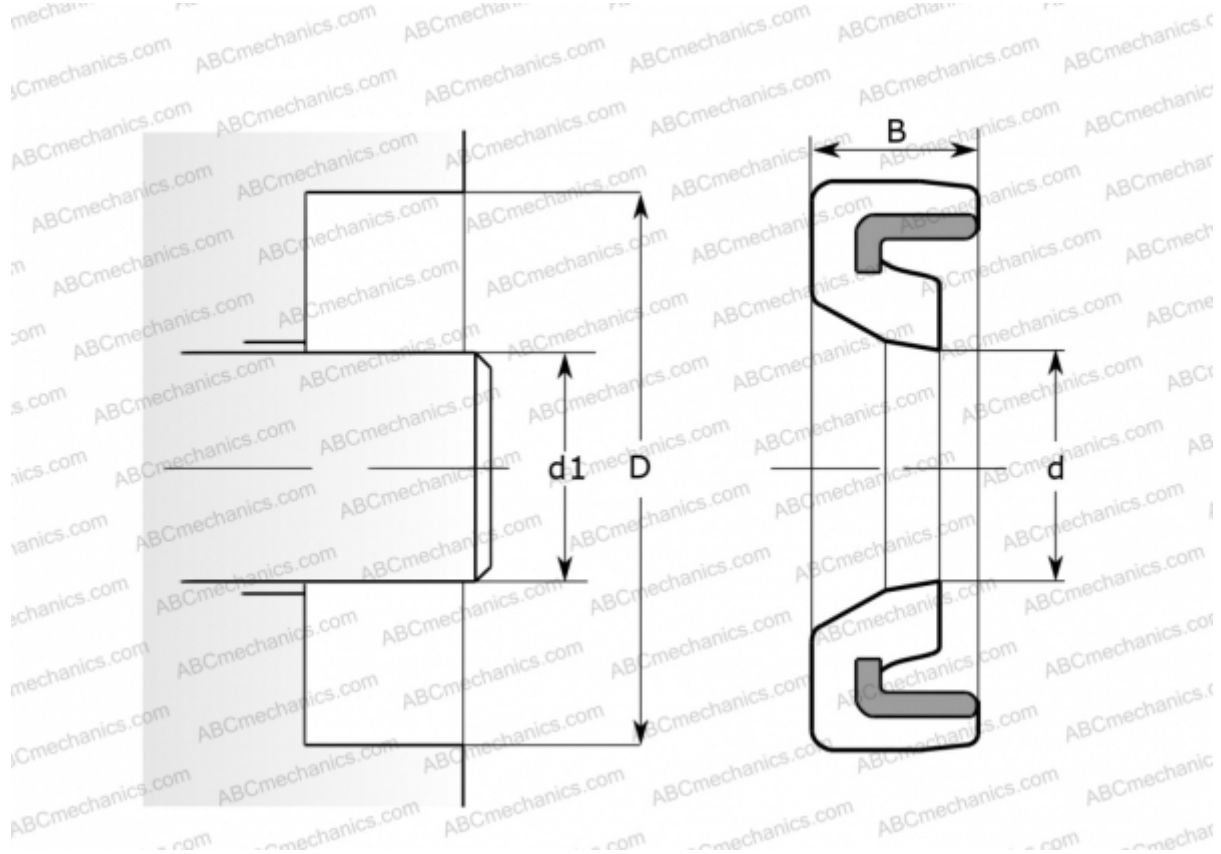


CR 60075 CR

Radial shaft seals

TYPE: Radial shaft seals, Metal case, Springless sealing lip, Type HM4, material NBR (SKF)



Technical specification

DIMENSIONS, MM

| | |
|----|---------|
| d1 | 152,400 |
| d | 152,400 |
| D | 190,500 |
| B | 6,350 |

MANUFACTURER [CR](#)

INTERCHANGE

| | |
|-----|-----------------------|
| SKF | 60075 |
|-----|-----------------------|

CALCULATION DATA

| | |
|-----------------------------|-----------|
| Operating temperature min | -40 °C |
| Operating temperature max | 100 °C |
| Pressure differential max | 0,070 Mpa |
| Maximum shaft surface speed | 0,001 m/s |