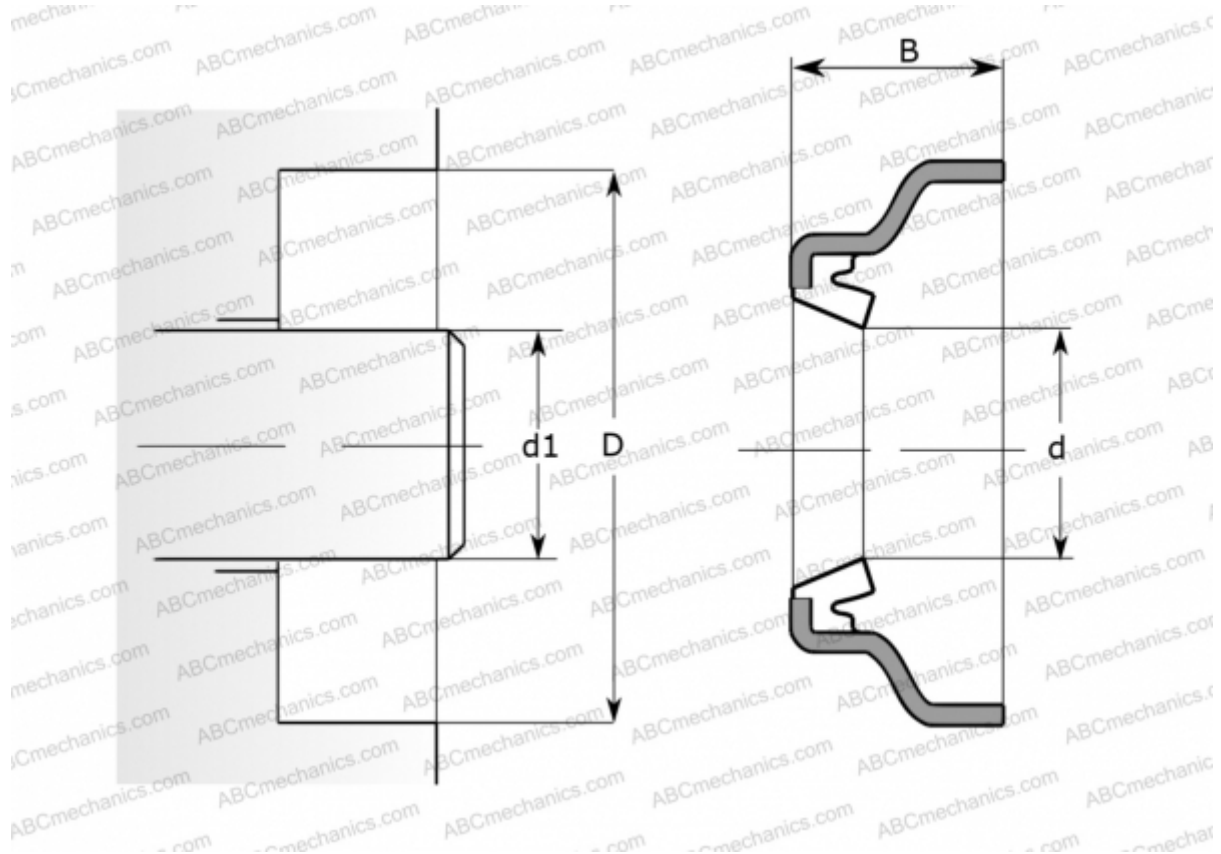


16520 SKF

Radial shaft seals

TYPE: Radial shaft seals, Metal case, Springless sealing lip, Type HM11, material NBR (SKF)



Technical specification

DIMENSIONS, MM

d1	42,164
d	42,164
D	61,976
B	15,088

MANUFACTURER [SKF](#)

INTERCHANGE

CR	CR 16520
----	--------------------------

CALCULATION DATA

Operating temperature min	-40 °C
Operating temperature max	100 °C
Pressure differential max	0,070 Mpa
Maximum shaft surface speed	7,150 m/s