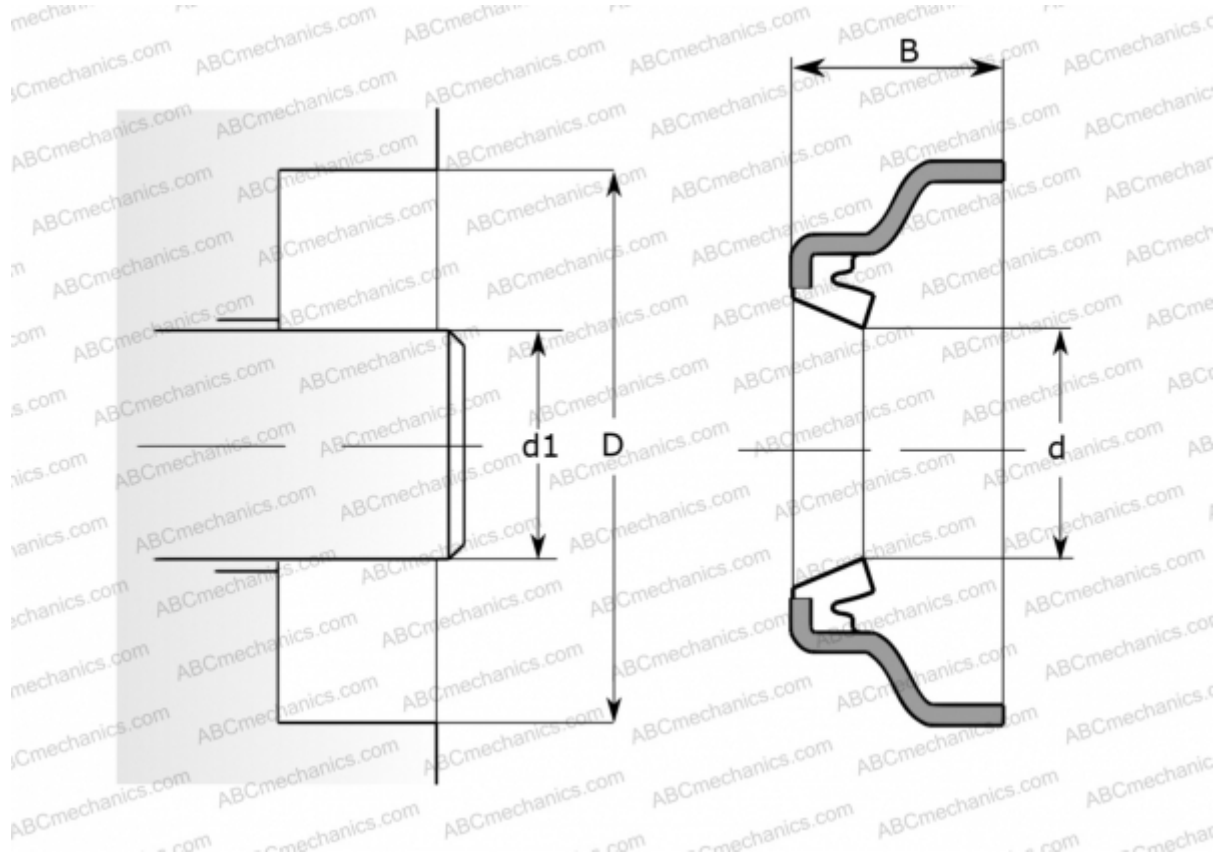


## CR 16520 CR

Radial shaft seals

TYPE: Radial shaft seals, Metal case, Springless sealing lip, Type HM11, material NBR (SKF)



### Technical specification

#### DIMENSIONS, MM

d1	42,164
d	42,164
D	61,976
B	15,088

**MANUFACTURER** [CR](#)

#### INTERCHANGE

SKF	<a href="#">16520</a>
-----	-----------------------

#### CALCULATION DATA

Operating temperature min	-40 °C
Operating temperature max	100 °C
Pressure differential max	0,070 Mpa
Maximum shaft surface speed	7,150 m/s