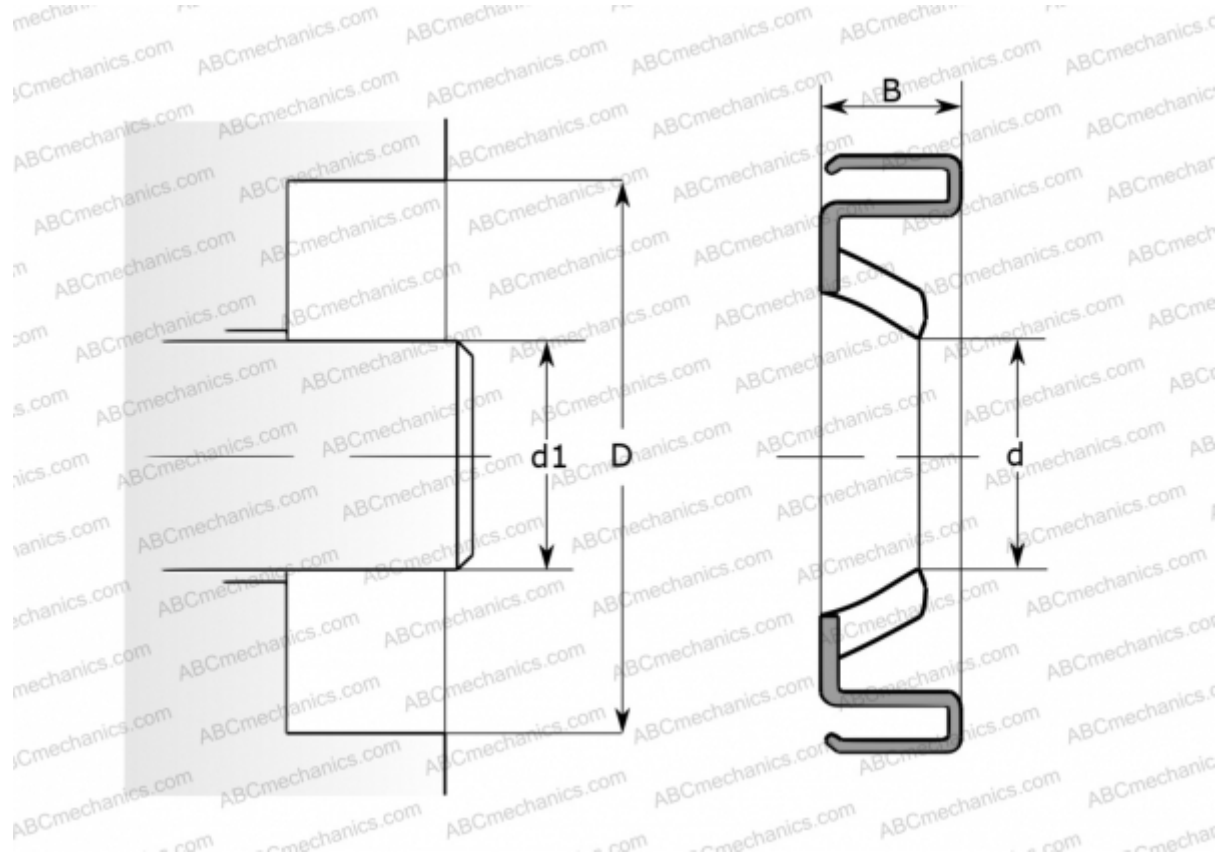


5399 SKF

Radial shaft seals

TYPE: Radial shaft seals, Metal case, Springless sealing lip, Type HM21, material NBR (SKF)



Technical specification

DIMENSIONS, MM

d1	13,995
d	13,995
D	28,550
B	5,156

MANUFACTURER

[SKF](#)

INTERCHANGE

CR	CR 5399
----	-------------------------

CALCULATION DATA

Operating temperature min	-40 °C
Operating temperature max	100 °C
Permissible operating temperature, short periods max	120 °C
Pressure differential max	0,070 Mpa
Maximum shaft surface speed	6,000 m/s