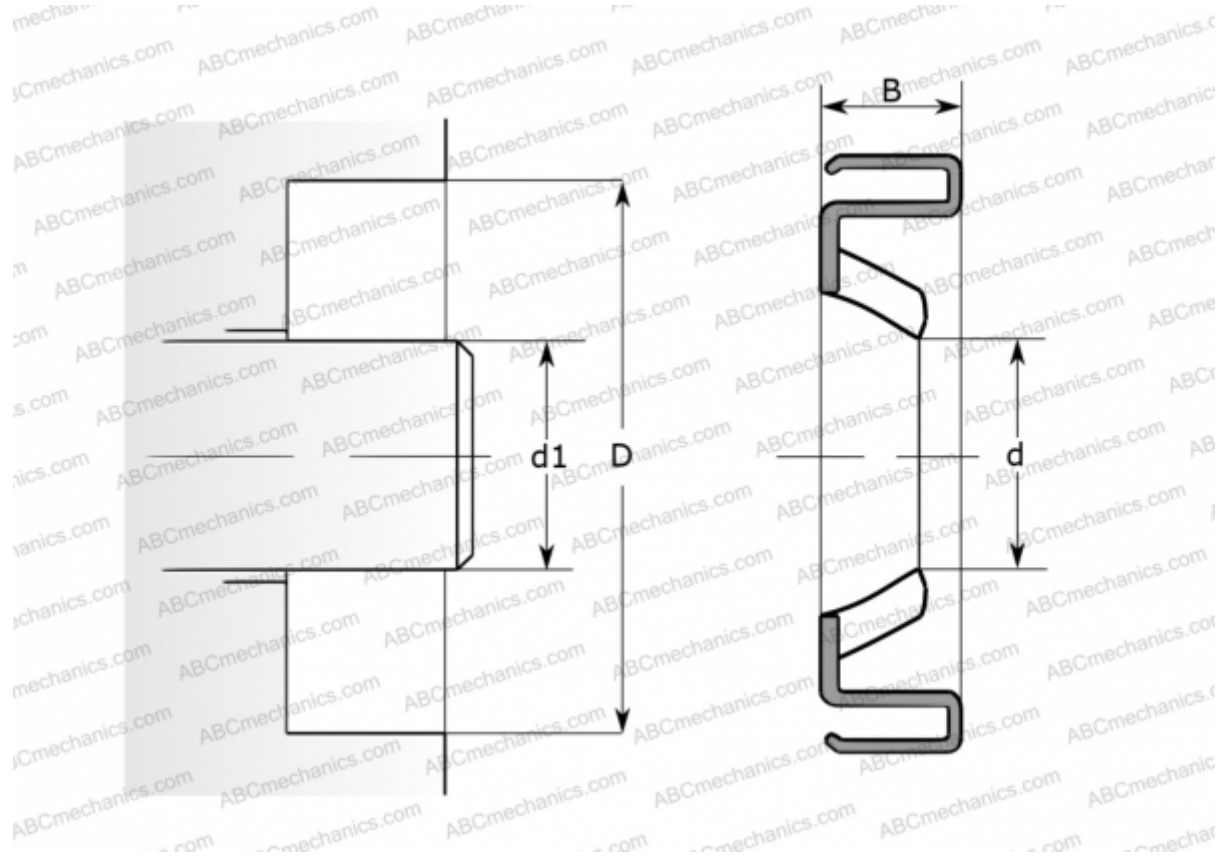


CR 8741 CR

Radial shaft seals

TYPE: Radial shaft seals, Metal case, Springless sealing lip, Type HM21, material NBR (SKF)



Technical specification

DIMENSIONS, MM

| | |
|----|--------|
| d1 | 22,225 |
| d | 22,225 |
| D | 38,075 |
| B | 6,350 |

MANUFACTURER [CR](#)

INTERCHANGE

| | |
|-----|----------------------|
| SKF | 8741 |
|-----|----------------------|

CALCULATION DATA

| | |
|--|-----------|
| Operating temperature min | -40 °C |
| Operating temperature max | 100 °C |
| Permissible operating temperature, short periods max | 120 °C |
| Pressure differential max | 0,070 Mpa |
| Maximum shaft surface speed | 6,000 m/s |