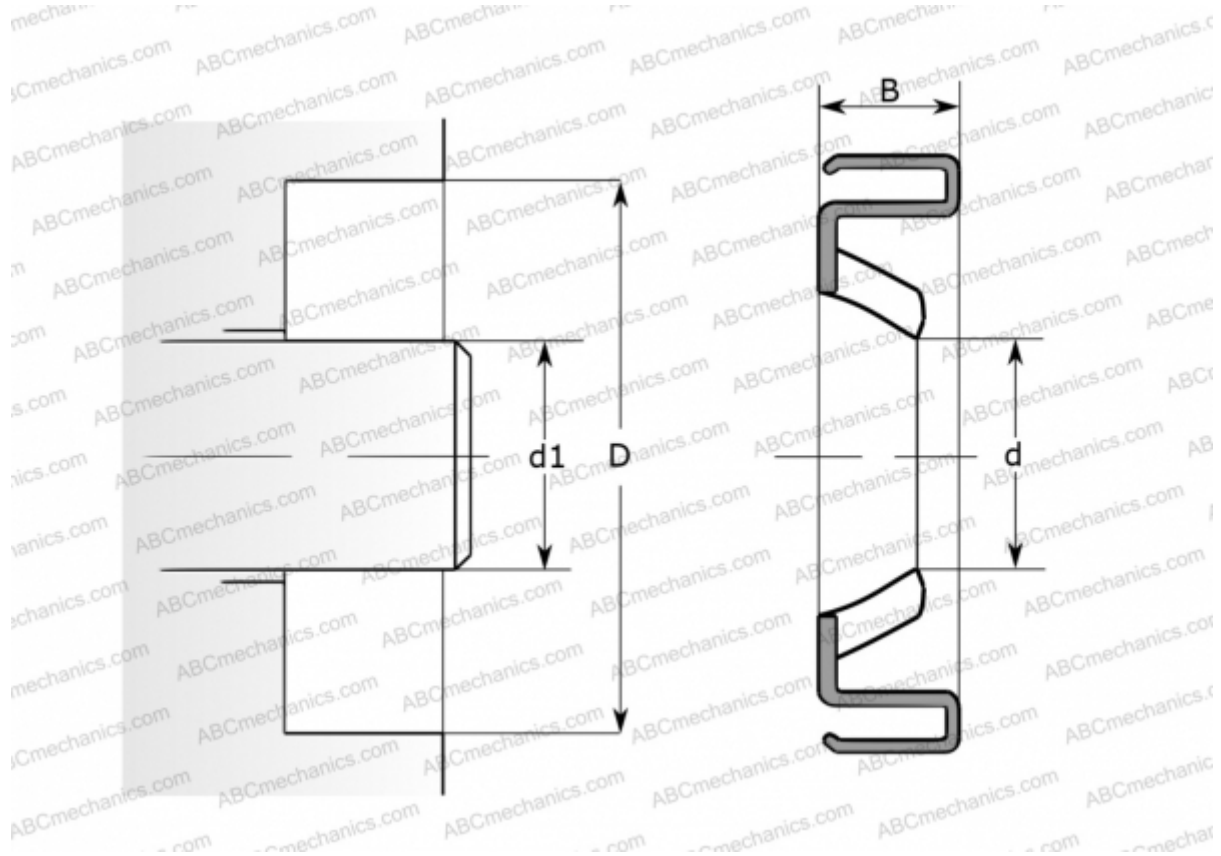


## CR 18889 CR

Radial shaft seals

TYPE: Radial shaft seals, Metal case, Springless sealing lip, Type HM21, material NBR (SKF)



### Technical specification

#### DIMENSIONS, MM

|    |        |
|----|--------|
| d1 | 47,625 |
| d  | 47,625 |
| D  | 80,010 |
| B  | 6,350  |

**MANUFACTURER** [CR](#)

#### INTERCHANGE

|     |                       |
|-----|-----------------------|
| SKF | <a href="#">18889</a> |
|-----|-----------------------|

#### CALCULATION DATA

|  |           |
|--|-----------|
| Operating temperature min                            | -40 °C    |
| Operating temperature max                            | 100 °C    |
| Permissible operating temperature, short periods max | 120 °C    |
| Pressure differential max                            | 0,070 Mpa |
| Maximum shaft surface speed                          | 6,000 m/s |