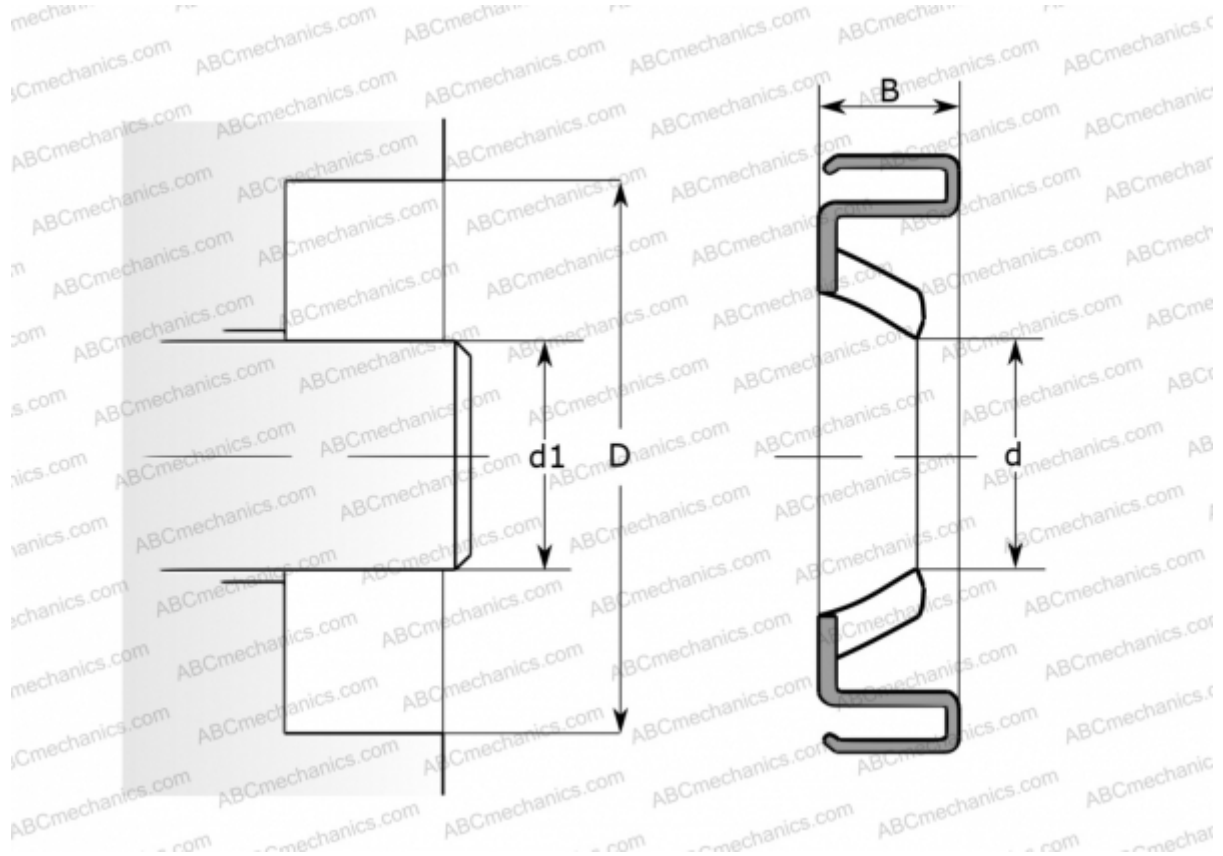


19763 SKF

Radial shaft seals

TYPE: Radial shaft seals, Metal case, Springless sealing lip, Type HM21, material NBR (SKF)



Technical specification

DIMENSIONS, MM

| | |
|----|--------|
| d1 | 50,800 |
| d | 50,800 |
| D | 66,624 |
| B | 6,350 |

MANUFACTURER

[SKF](#)

INTERCHANGE

| | |
|----|--------------------------|
| CR | CR 19763 |
|----|--------------------------|

CALCULATION DATA

| | |
|--|-----------|
| Operating temperature min | -40 °C |
| Operating temperature max | 100 °C |
| Permissible operating temperature, short periods max | 120 °C |
| Pressure differential max | 0,070 Mpa |
| Maximum shaft surface speed | 6,000 m/s |