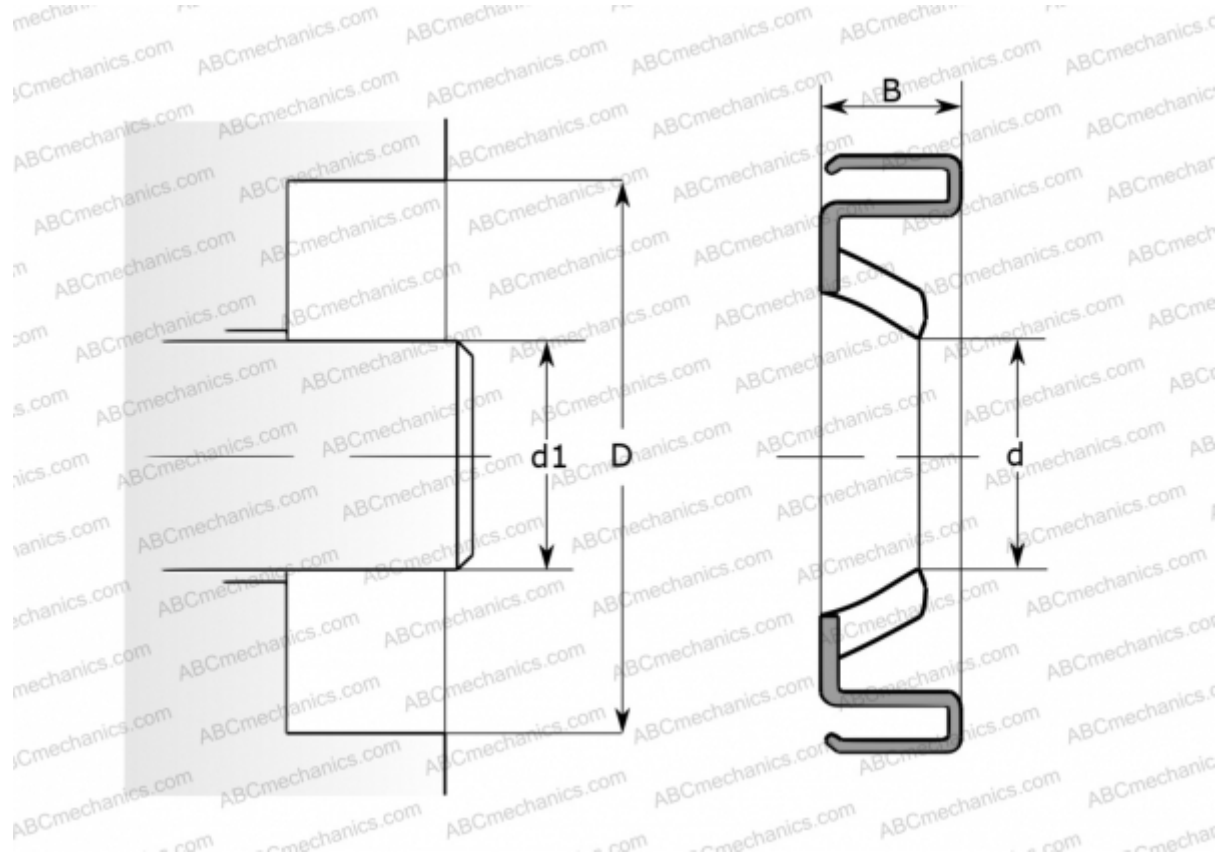


## CR 32510 CR

Radial shaft seals

TYPE: Radial shaft seals, Metal case, Springless sealing lip, Type HM21, material NBR (SKF)



### Technical specification

#### DIMENSIONS, MM

d1	82,550
d	82,550
D	114,325
B	6,350

**MANUFACTURER** [CR](#)

#### INTERCHANGE

SKF [32510](#)

#### CALCULATION DATA

Operating temperature min	-40 °C
Operating temperature max	100 °C
Permissible operating temperature, short periods max	120 °C
Pressure differential max	0,070 Mpa
Maximum shaft surface speed	6,000 m/s