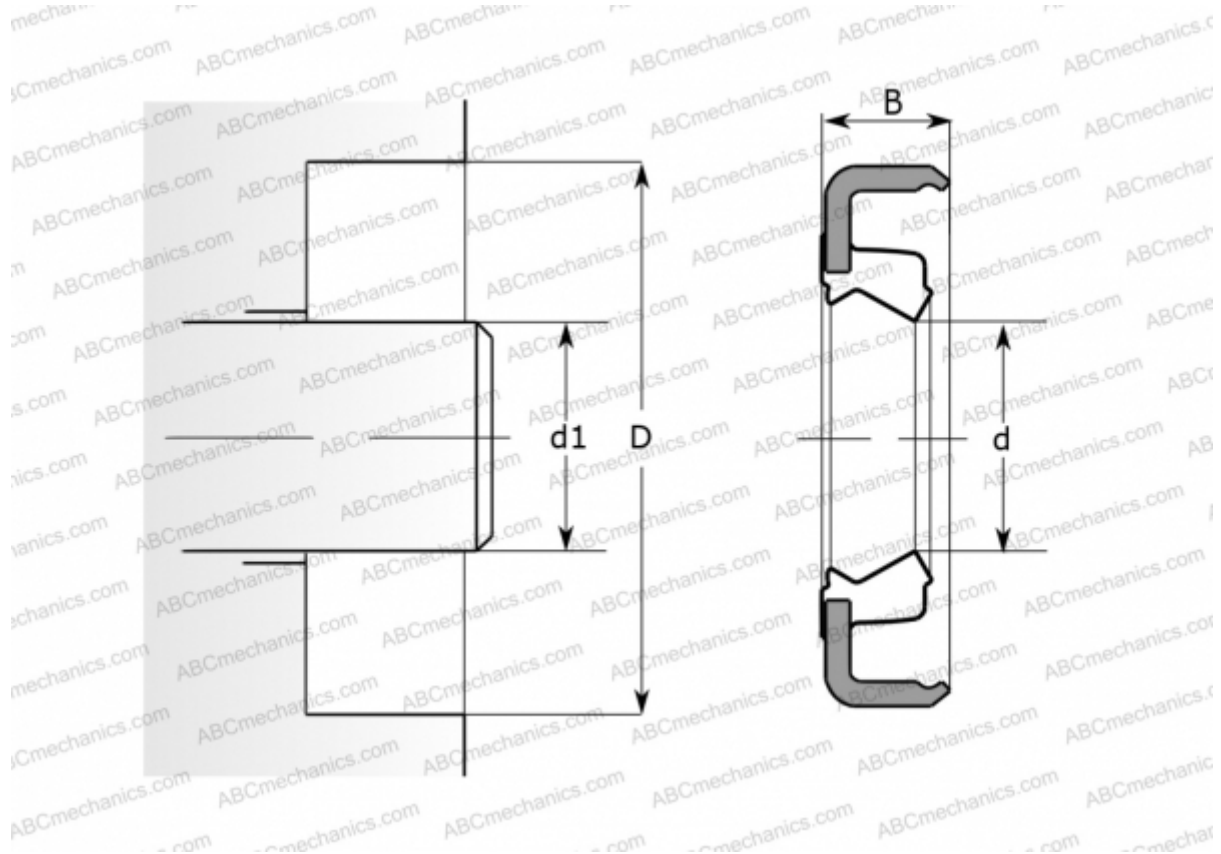


CR 18x26x4 HMA1 R CR

Radial shaft seals

TYPE: Radial shaft seals, Metal case, Springless sealing lip, Type HMA1, material NBR (SKF)



Technical specification

DIMENSIONS, MM

d1	18,000
d	18,000
D	26,000
B	4,000

MANUFACTURER [CR](#)

INTERCHANGE

SKF	18x26x4 HMA1 R
-----	--------------------------------

CALCULATION DATA

Operating temperature min	-40 °C
Operating temperature max	100 °C
Permissible operating temperature, short periods max	120 °C
Maximum shaft surface speed	0,001 m/s