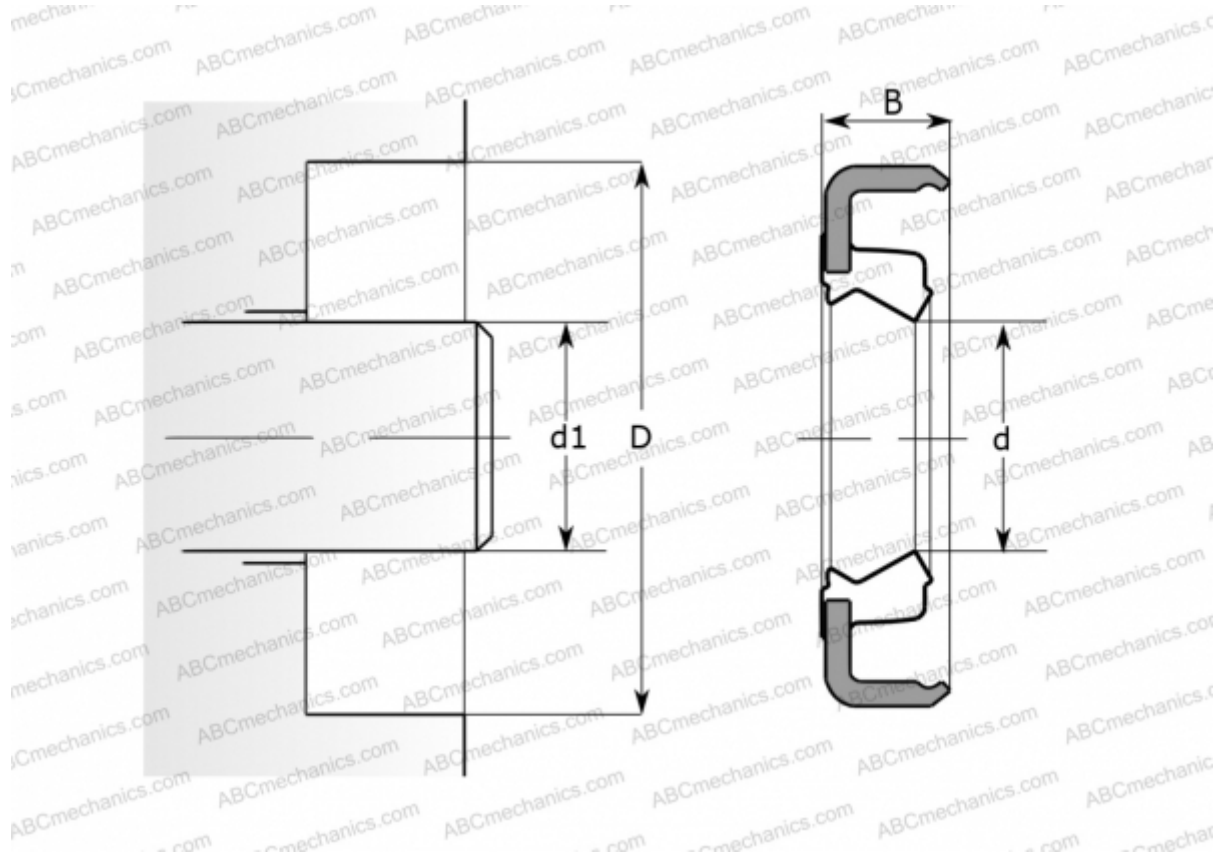


## CR 31129 CR

Radial shaft seals

TYPE: Radial shaft seals, Metal case, Springless sealing lip, Type HMA1, material NBR (SKF)



### Technical specification

#### DIMENSIONS, MM

|    |        |
|----|--------|
| d1 | 79,375 |
| d  | 79,375 |
| D  | 95,275 |
| B  | 6,350  |

**MANUFACTURER** [CR](#)

#### INTERCHANGE

|     |                       |
|-----|-----------------------|
| SKF | <a href="#">31129</a> |
|-----|-----------------------|

#### CALCULATION DATA

|  |           |
|--|-----------|
| Operating temperature min                            | -40 °C    |
| Operating temperature max                            | 100 °C    |
| Permissible operating temperature, short periods max | 120 °C    |
| Maximum shaft surface speed                          | 0,001 m/s |