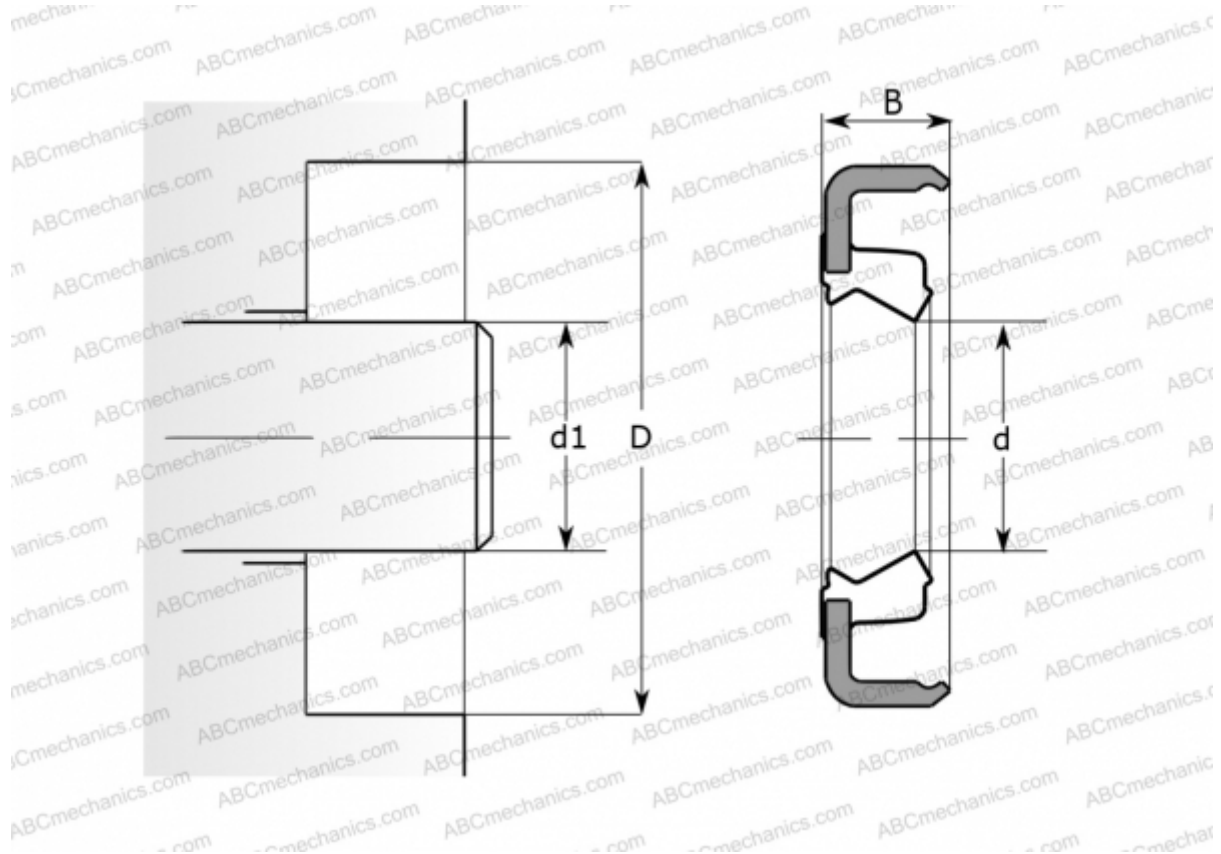


CR 57502 CR

Radial shaft seals

TYPE: Radial shaft seals, Metal case, Springless sealing lip, Type HMA1, material NBR (SKF)



Technical specification

DIMENSIONS, MM

d1	146,050
d	146,050
D	161,925
B	6,350

MANUFACTURER [CR](#)

INTERCHANGE

SKF	57502
-----	-----------------------

CALCULATION DATA

Operating temperature min	-40 °C
Operating temperature max	100 °C
Permissible operating temperature, short periods max	120 °C
Maximum shaft surface speed	0,001 m/s