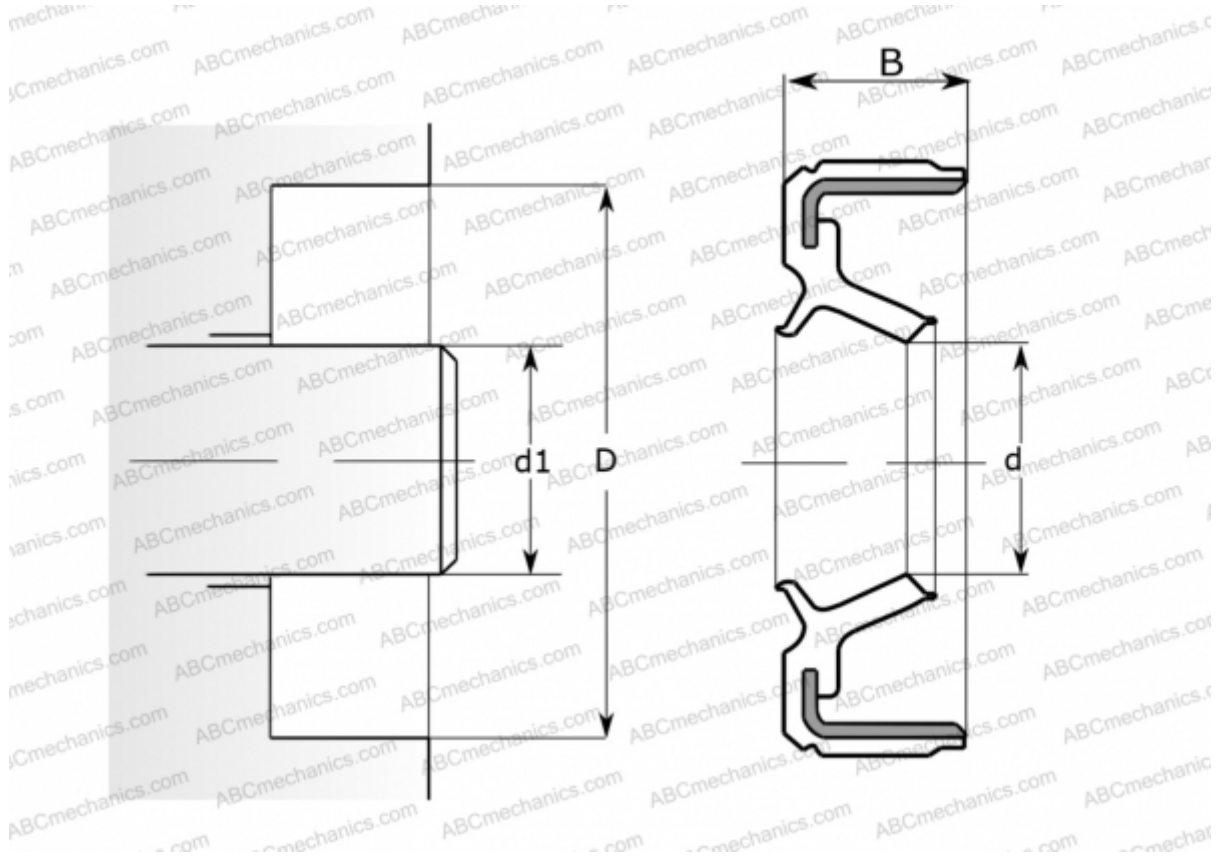


## 3632 SKF

Radial shaft seals

TYPE: Radial shaft seals, Metal case, Springless sealing lip, Type HMA10, material ACM (SKF)



### Technical specification

#### DIMENSIONS, MM

d1	9,525
d	9,525
D	15,951
B	5,004

#### MANUFACTURER

[SKF](#)

#### INTERCHANGE

CR	<a href="#">CR 3632</a>
----	-------------------------

#### CALCULATION DATA

Operating temperature min	-40 °C
Operating temperature max	150 °C
Permissible operating temperature, short periods max	170 °C
Pressure differential max	0,070 Mpa
Maximum shaft surface speed	6,590 m/s