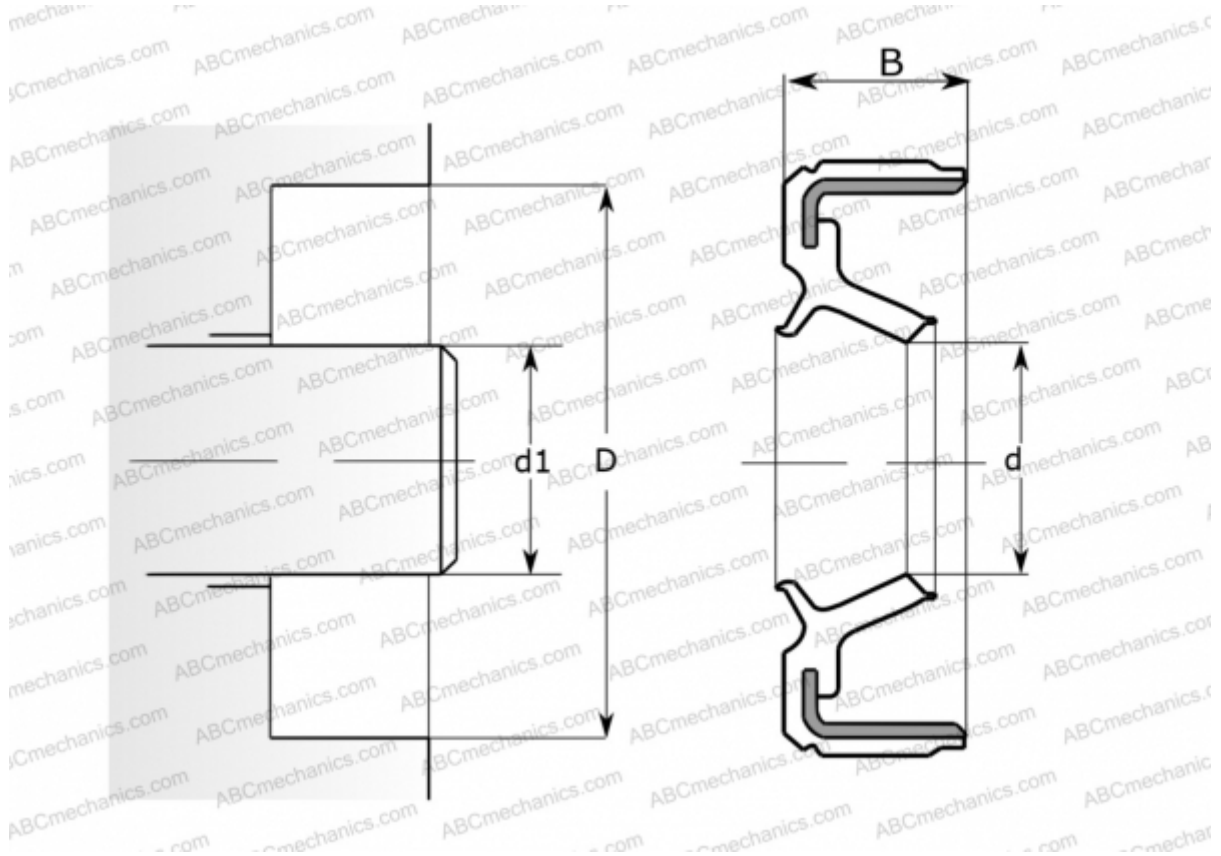


23x35x6 HMA10 R SKF

Radial shaft seals

TYPE: Radial shaft seals, Metal case, Springless sealing lip, Type HMA10, material NBR (SKF)



Technical specification

DIMENSIONS, MM

d1	22,000
d	22,000
D	35,000
B	6,000

MANUFACTURER [SKF](#)

INTERCHANGE

CR [CR 23x35x6 HMA10 R](#)

CALCULATION DATA

Operating temperature min	-40 °C
Operating temperature max	100 °C
Permissible operating temperature, short periods max	120 °C
Pressure differential max	0,070 Mpa
Maximum shaft surface speed	0,001 m/s