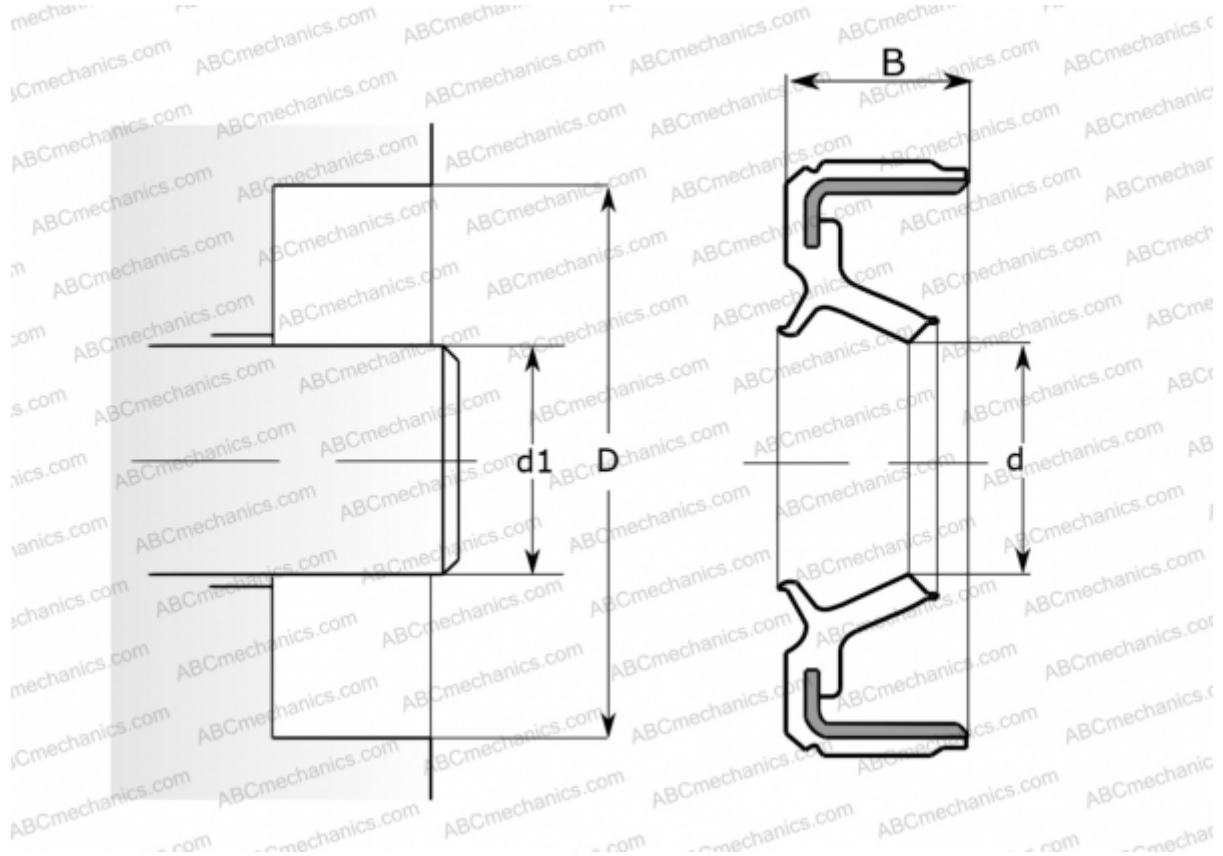


40x62x10 HMA10 R SKF

Radial shaft seals

TYPE: Radial shaft seals, Metal case, Springless sealing lip, Type HMA10, material NBR (SKF)



Technical specification

DIMENSIONS, MM

d_1	40,000
d	40,000
D	62,000
B	10,000

MANUFACTURER

[SKF](#)

INTERCHANGE

CR	CR 40x62x10 HMA10 R
----	-------------------------------------

CALCULATION DATA

Operating temperature min	-40 °C
Operating temperature max	100 °C
Permissible operating temperature, short periods max	120 °C
Pressure differential max	0,070 Mpa
Maximum shaft surface speed	0,001 m/s