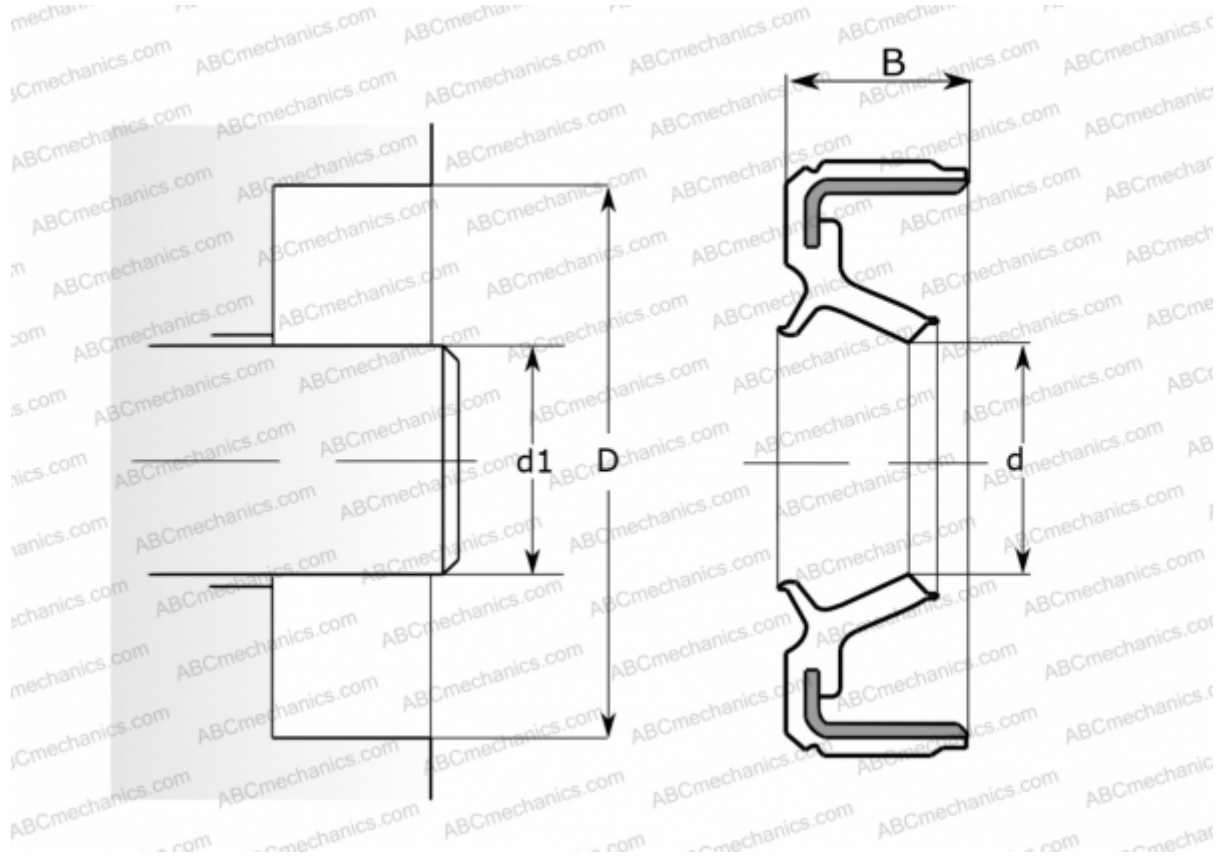


CR 50x60x6 HMA10 R CR

Radial shaft seals

TYPE: Radial shaft seals, Metal case, Springless sealing lip, Type HMA10, material NBR (SKF)



Technical specification

DIMENSIONS, MM

| | |
|----|--------|
| d1 | 50,000 |
| d | 50,000 |
| D | 60,000 |
| B | 6,000 |

MANUFACTURER [CR](#)

INTERCHANGE

| | |
|-----|---------------------------------|
| SKF | 50x60x6 HMA10 R |
|-----|---------------------------------|

CALCULATION DATA

| | |
|--|-----------|
| Operating temperature min | -40 °C |
| Operating temperature max | 100 °C |
| Permissible operating temperature, short periods max | 120 °C |
| Pressure differential max | 0,070 Mpa |
| Maximum shaft surface speed | 0,001 m/s |