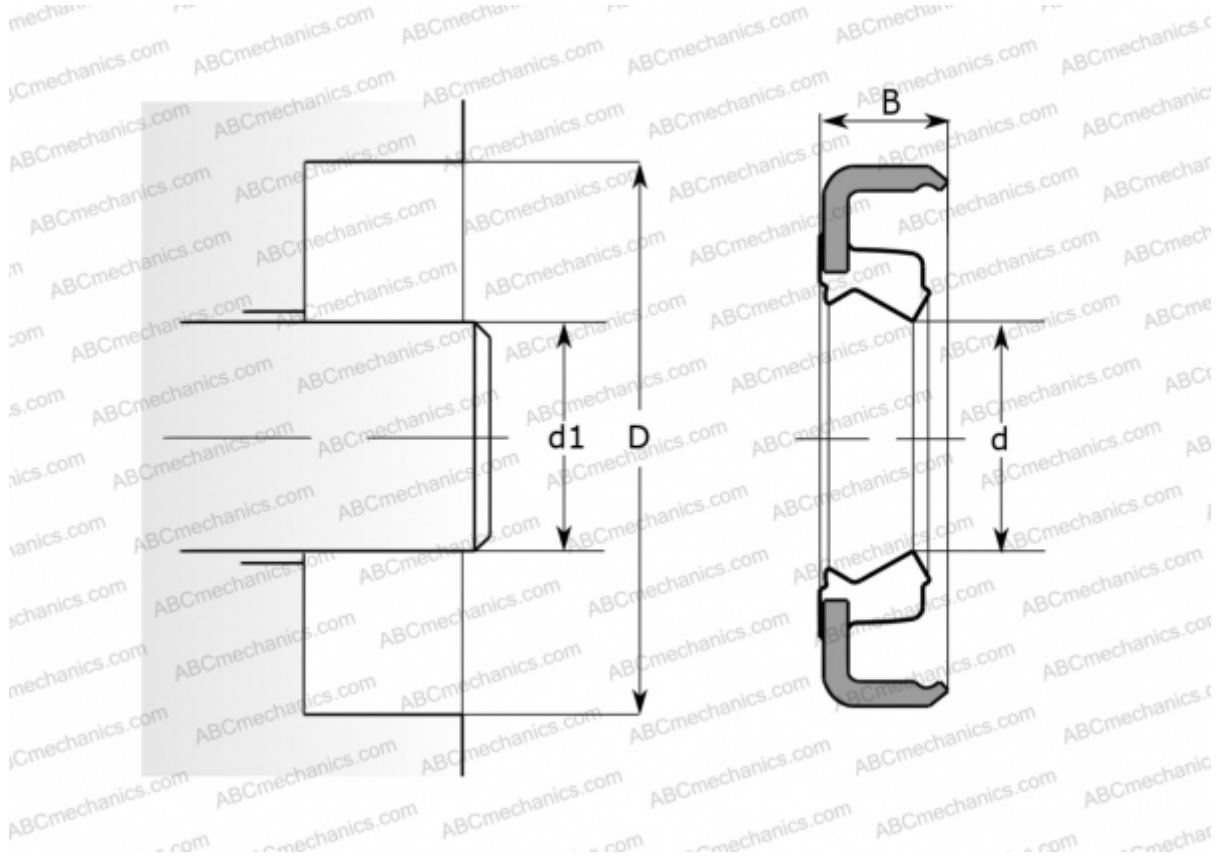


2452 SKF

Radial shaft seals

TYPE: Radial shaft seals, Metal case, Springless sealing lip, Type HMA14, material FPM/FKM (SKF)



Technical specification

DIMENSIONS, MM

d1	6,350
d	6,350
D	12,675
B	4,775

MANUFACTURER [SKF](#)

INTERCHANGE

CR [CR 2452](#)

CALCULATION DATA

Operating temperature min	-40 °C
Operating temperature max	200 °C
Permissible operating temperature, short periods max	220 °C
Pressure differential max	0,070 Mpa
Maximum shaft surface speed	2,140 m/s