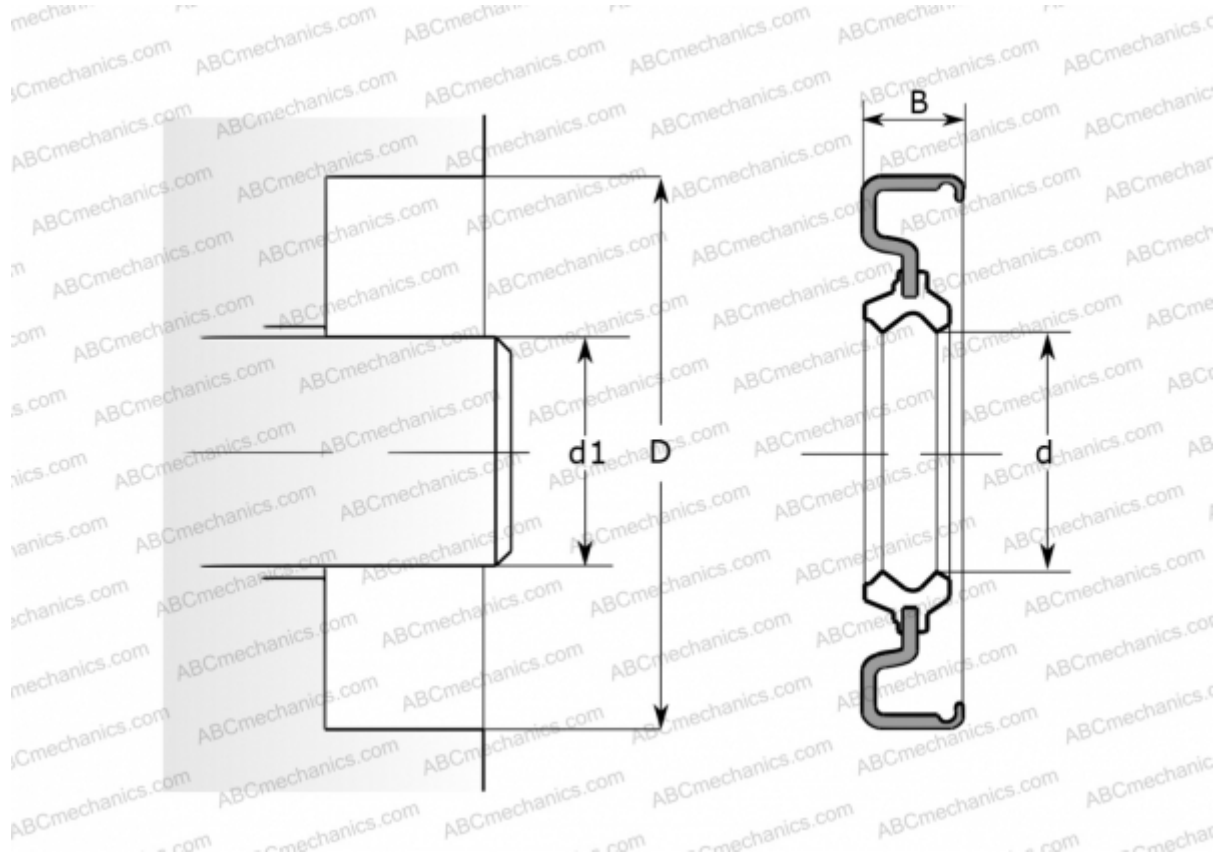


CR 12506 CR

Radial shaft seals

TYPE: Radial shaft seals, Metal case, Springless sealing lip, Type HMA22, material NBR (SKF)



Technical specification

DIMENSIONS, MM

d1	31,750
d	31,750
D	50,292
B	10,312

MANUFACTURER [CR](#)

INTERCHANGE

SKF	12506
-----	-----------------------

CALCULATION DATA

Operating temperature min	-40 °C
Operating temperature max	100 °C
Permissible operating temperature, short periods max	120 °C
Pressure differential max	0,070 Mpa
Maximum shaft surface speed	0,001 m/s