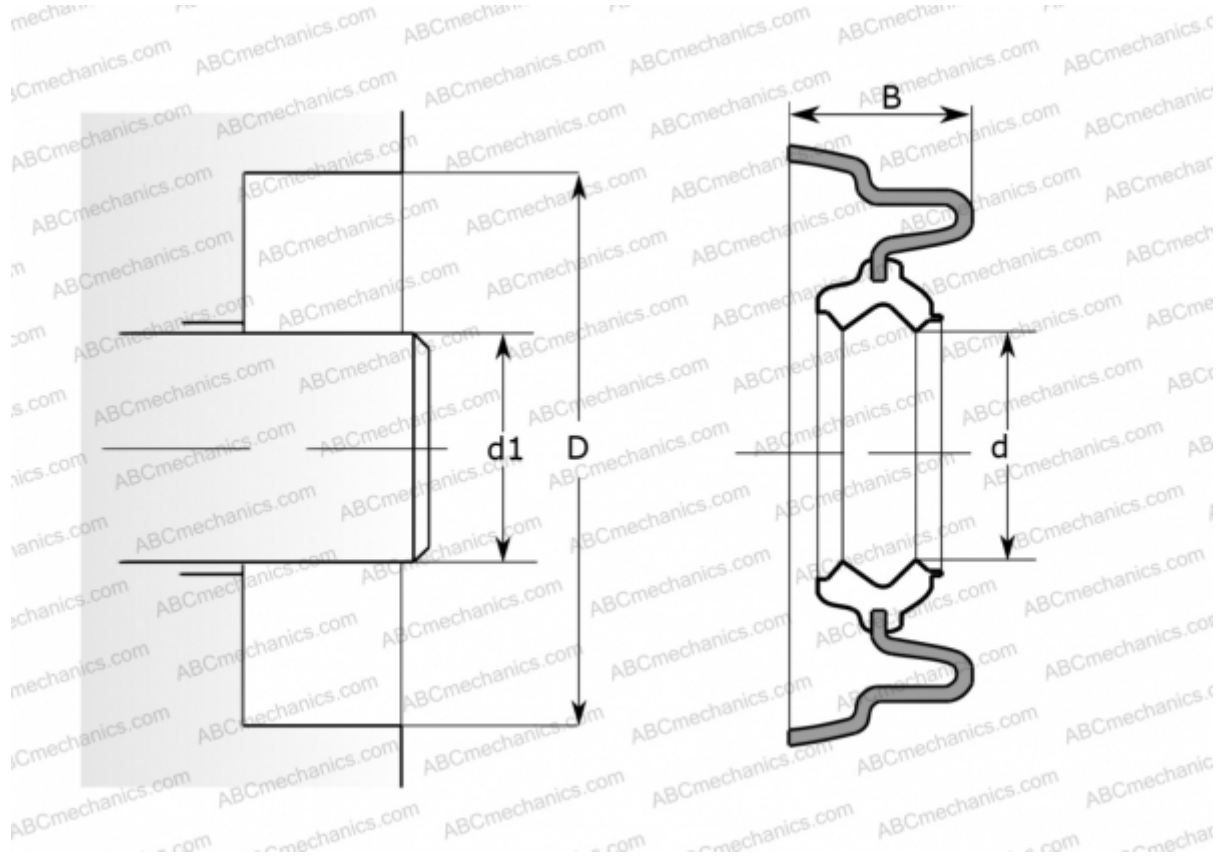


20016 SKF

Radial shaft seals

TYPE: Radial shaft seals, Metal case, Springless sealing lip, Type HMA94, material NBR (SKF)



Technical specification

DIMENSIONS, MM

d1	50,800
d	50,800
D	66,827
B	6,909

MANUFACTURER

[SKF](#)

INTERCHANGE

CR	CR 20016
----	--------------------------

CALCULATION DATA

Operating temperature min	-40 °C
Operating temperature max	100 °C
Permissible operating temperature, short periods max	120 °C
Pressure differential max	0,070 Mpa
Maximum shaft surface speed	7,900 m/s