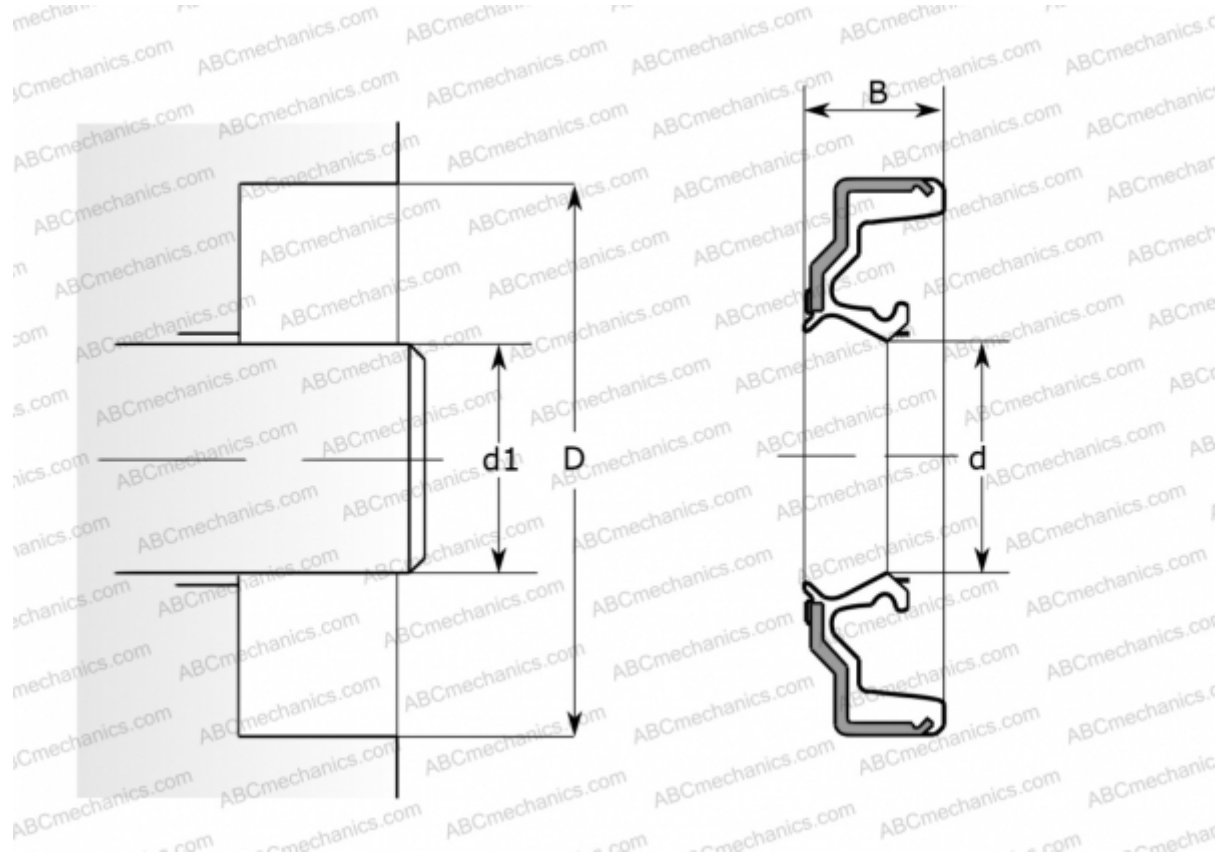


CR 181948 CR

Radial shaft seals

TYPE: Radial shaft seals, Metal case, Springless sealing lip, Type HMA96, material NBR (SKF)



Technical specification

DIMENSIONS, MM

d1	161,900
d	161,900
D	222,225
B	10,693

MANUFACTURER [CR](#)

INTERCHANGE

SKF	181948
-----	------------------------

CALCULATION DATA

Operating temperature min	-40 °C
Operating temperature max	100 °C
Permissible operating temperature, short periods max	120 °C
Pressure differential max	0,070 Mpa
Maximum shaft surface speed	0,001 m/s