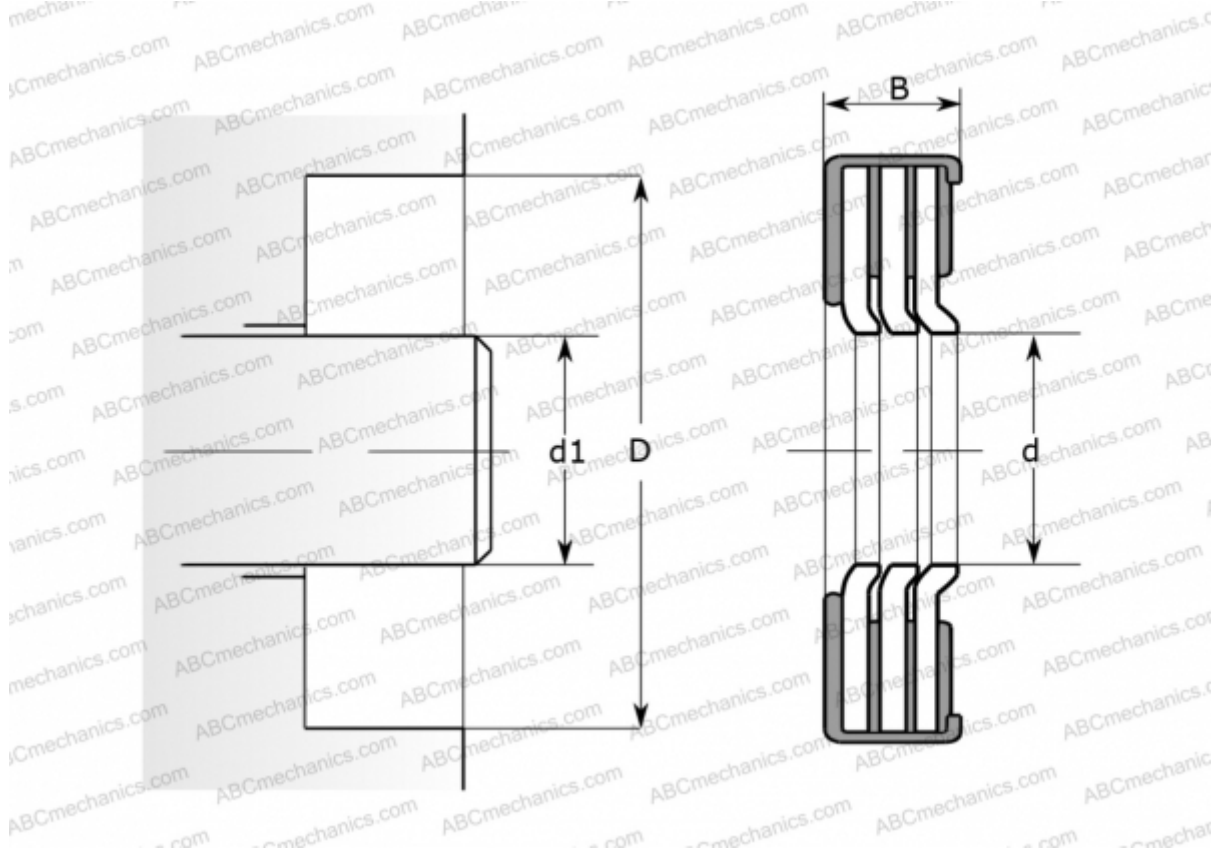


29852 SKF

Radial shaft seals

TYPE: Radial shaft seals, Metal case, Springless sealing lip, Type TL1, material NBR (SKF)



Technical specification

DIMENSIONS, MM

d1	75,006
d	75,006
D	119,990
B	8,128

MANUFACTURER

[SKF](#)

INTERCHANGE

CR	CR 29852
----	--------------------------

CALCULATION DATA

Operating temperature min	-40 °C
Operating temperature max	100 °C
Permissible operating temperature, short periods max	120 °C
Pressure differential max	0,070 Mpa
Maximum shaft surface speed	9,480 m/s