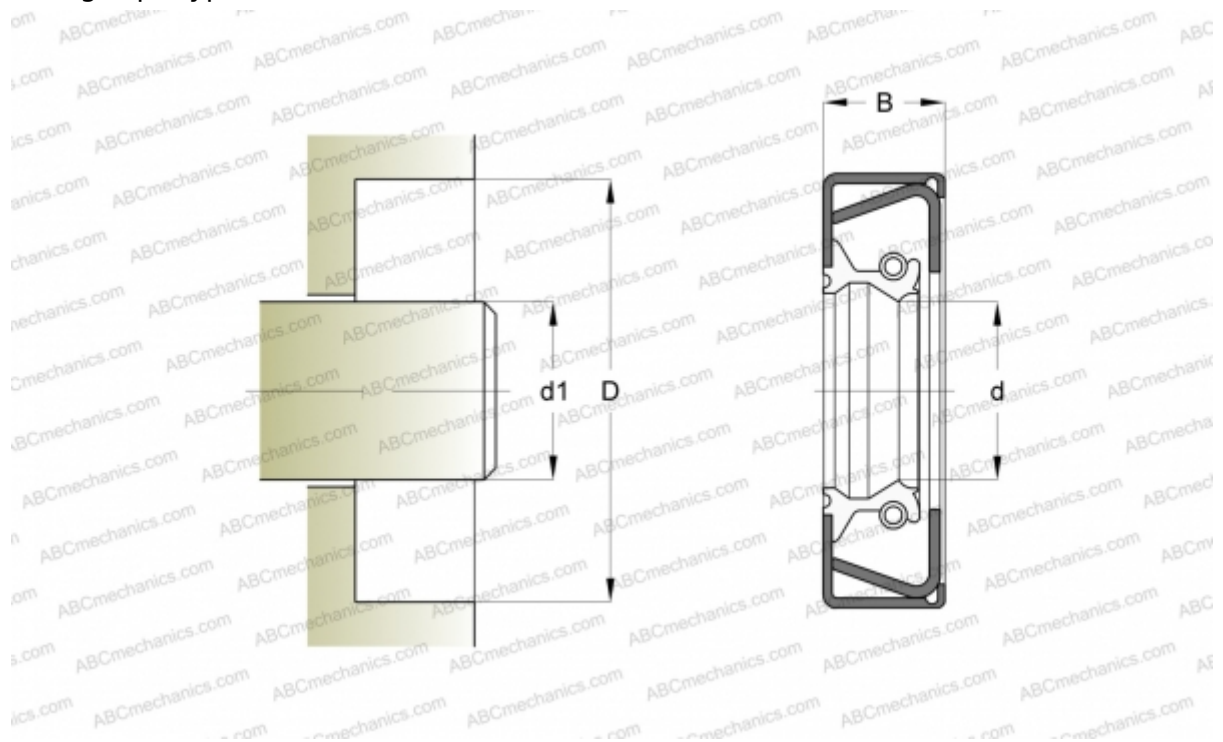


## CR 23841 CR

Radial shaft seals

TYPE: Radial shaft seals, Metal case and a secondary reinforcement in the side face, With spring-loaded sealing slip, Type CRWHA1, material ACM (SKF)



### Technical specification

#### DIMENSIONS, MM

|    |        |
|----|--------|
| d1 | 60,325 |
| d  | 60,325 |
| D  | 92,024 |
| B  | 11,125 |

**MANUFACTURER** [CR](#)

#### INTERCHANGE

|     |                       |
|-----|-----------------------|
| SKF | <a href="#">23841</a> |
|-----|-----------------------|

#### CALCULATION DATA

|  |            |
|--|------------|
| Operating temperature min                            | -40 °C     |
| Operating temperature max                            | 150 °C     |
| Permissible operating temperature, short periods max | 175 °C     |
| Pressure differential max                            | 0,070 Mpa  |
| Maximum shaft surface speed                          | 18,000 m/s |