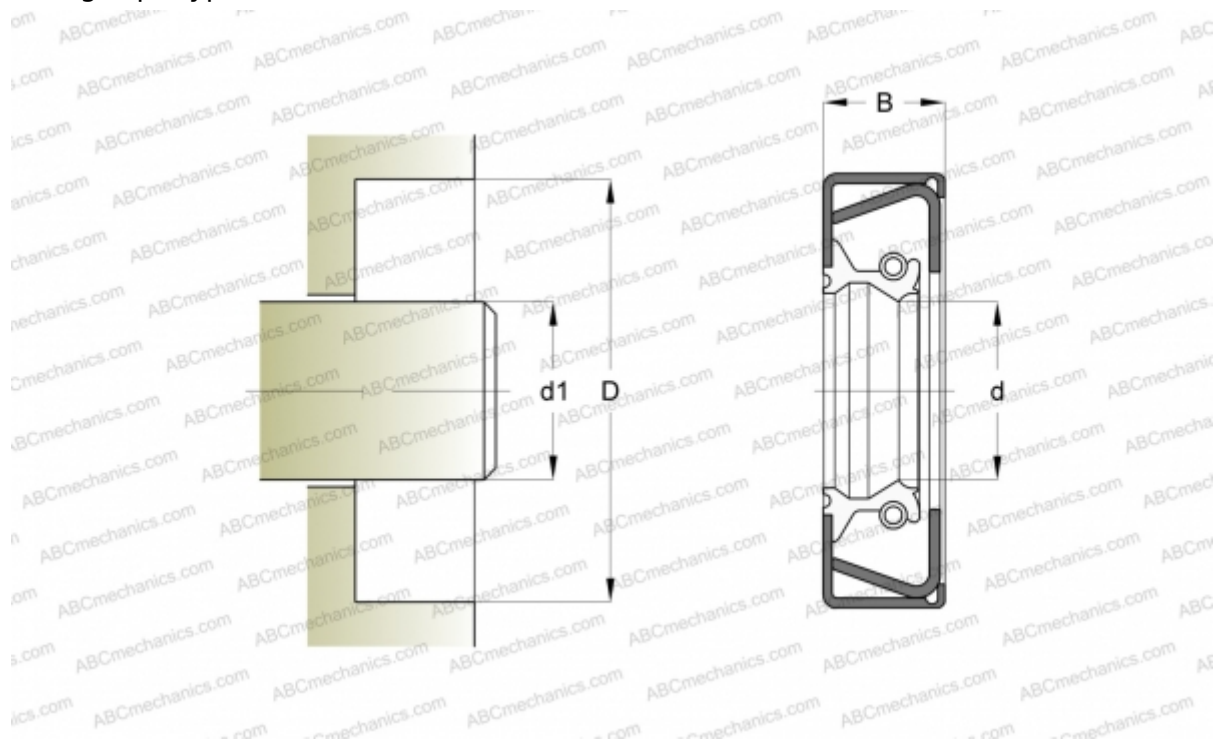


57x92x11 CRWHA1 R SKF

Radial shaft seals

TYPE: Radial shaft seals, Metal case and a secondary reinforcement in the side face, With spring-loaded sealing lip, Type CRWHA1, material NBR (SKF)



Technical specification

DIMENSIONS, MM

d1	57,000
d	57,000
D	92,000
B	11,000

MANUFACTURER [SKF](#)

INTERCHANGE

CR [CR 57x92x11 CRWHA1 R](#)

CALCULATION DATA

Operating temperature min	-40 °C
Operating temperature max	100 °C
Permissible operating temperature, short periods max	120 °C
Pressure differential max	0,070 Mpa
Maximum shaft surface speed	18,000 m/s