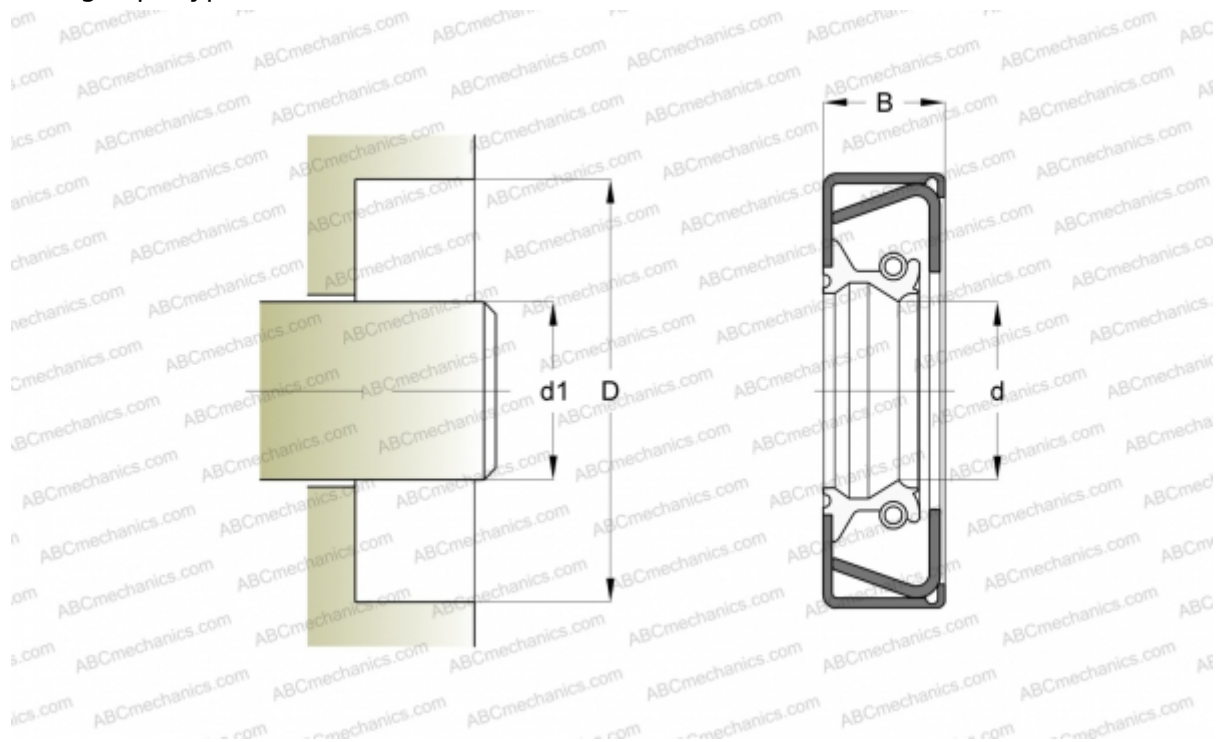


CR 21270 CR

Radial shaft seals

TYPE: Radial shaft seals, Metal case and a secondary reinforcement in the side face, With spring-loaded sealing slip, Type CRWHA1, material MVQ/VMQ (SKF)



Technical specification

DIMENSIONS, MM

d1	53,975
d	53,975
D	81,001
B	11,913

MANUFACTURER [CR](#)

INTERCHANGE

SKF	21270
-----	-----------------------

CALCULATION DATA

Operating temperature min	-70 °C
Operating temperature max	160 °C
Permissible operating temperature, short periods max	180 °C
Pressure differential max	0,070 Mpa
Maximum shaft surface speed	26,050 m/s