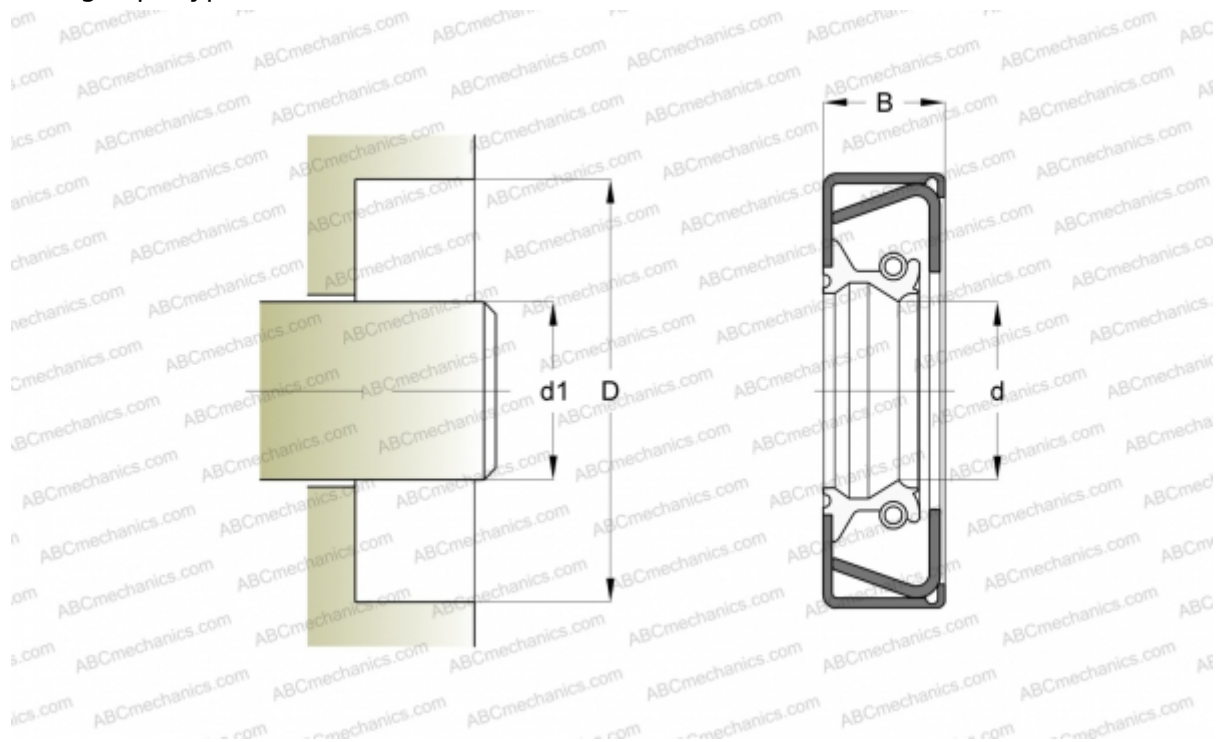


## CR 31185 CR

Radial shaft seals

TYPE: Radial shaft seals, Metal case and a secondary reinforcement in the side face, With spring-loaded sealing slip, Type CRWHA1, material MVQ/VMQ (SKF)



### Technical specification

#### DIMENSIONS, MM

$d_1$	79,375
$d$	79,375
$D$	104,775
$B$	11,125

**MANUFACTURER** [CR](#)

#### INTERCHANGE

SKF	<a href="#">31185</a>
-----	-----------------------

#### CALCULATION DATA

Operating temperature min	-70 °C
Operating temperature max	160 °C
Permissible operating temperature, short periods max	180 °C
Pressure differential max	0,070 Mpa
Maximum shaft surface speed	30,380 m/s